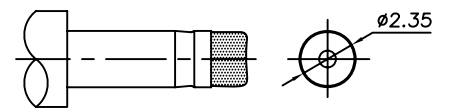
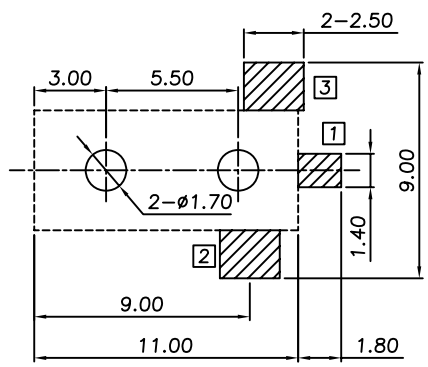
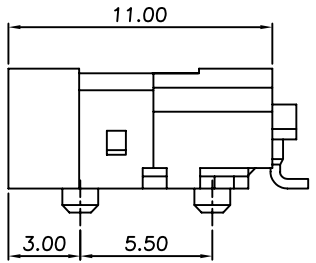
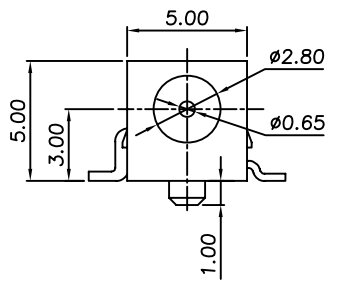


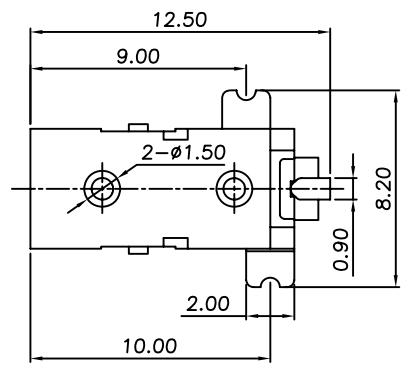
RoHS
Compatible

△				
△				
△				
△				
ZONE	REV	DESCRIPTION	DATE	APPD.

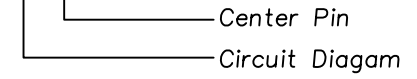


DC Mate Plug

P.C.B Layout
(Top View)



Order Information:
DC-031H- -0.65-S057



Specifications

1. Rating : 30V 1A Max.
2. Contact resistance : 50mΩ Max.
3. Insulation resistance : 100MΩ Min.
4. Withstand voltage : 500VAC
5. Insertion and extraction force : 3-30N
6. Life test : 5,000 cycles Min.
7. Operating temperature : -20°C~70°C

發行
2013.02.23
達立

Model No.	DC-031H-A-S057	DC-031H-B-S057
Schematic		
Center pin	ø0.65mm	

□ Terminal No.

④	Shunt Terminal	③	Brass t=0.4	1	Ag Plated
③	Tip Spring	②	Stainless Steel t=0.25	1	Ag Plated
②	Center Pin	①	Phosphor Bronze	1	Ag Plated
①	Housing		PA9T	1	Black ,UL94V-0
No.	Part Name		Material	Q'ty	Finishing

達立科技股份有限公司
Dawning Precision Co., Ltd.
TEL: 886-2-82271388 FAX: 886-2-82272198

DESIGN	Will	SCALE	
DRAWING	Will	UNIT	mm
CHECK	Will	SIZE	A4: 210*297
APPROVAL	Eric	VERSION	01

TOLERANCE UNLESS OTHERWISE STATED(mm)	PART NAME	DC POWER SOCKET
less than 10 ±0.2	PART NO	DC-031H-S057 SERIES
10~30 ±0.3	DRAWING NO	
30~100 ±0.5	DATE	2013/02/22
ANGIE ±2°		