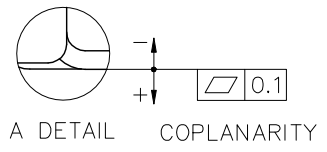
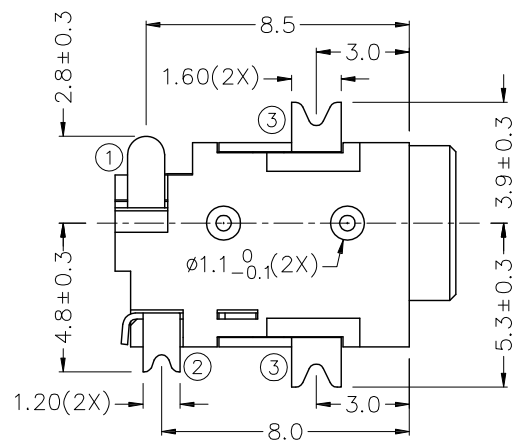
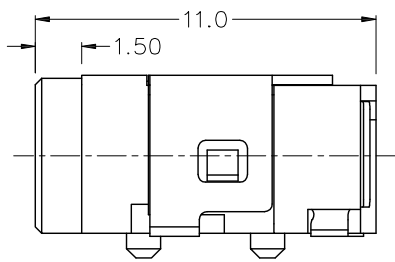
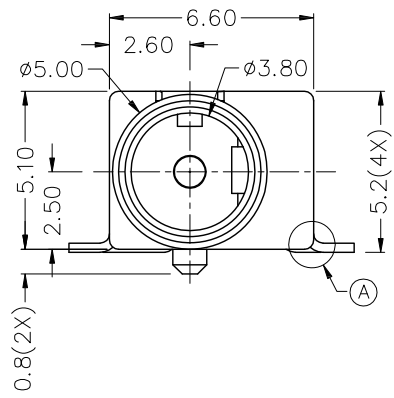
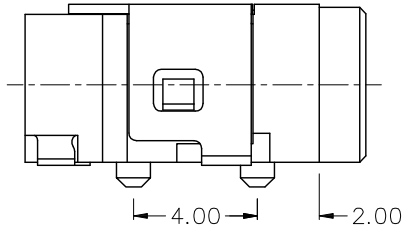
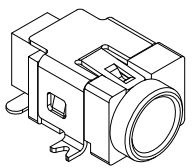


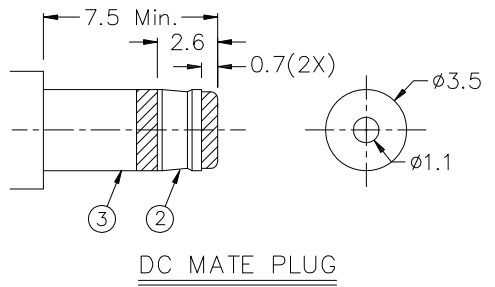
**RoHS**  
**Compatible**

R&D發行  
2019.05.09  
達立

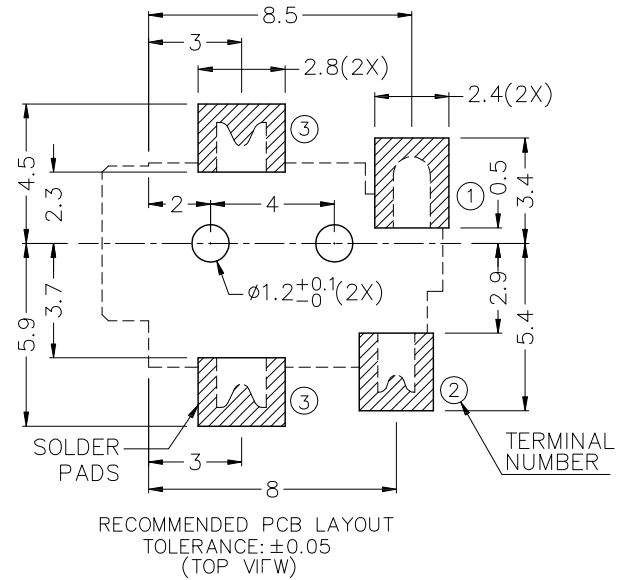
△				
△				
△				
△				
ZONE	REV	DESCRIPTION	DATE	APPD.



Material :  
Terminal 1 : Brass, Silver Plated  
Terminal 2 : Copper alloy, Silver Plated  
Terminal 3 : Copper alloy Silver Plated  
Housing : PA10T



MODEL NO.	DC-060D
SCHEMATIC	
CENTER PIN	φ1mm



**達立科技股份有限公司**  
**Dawning Precision Co., Ltd.**  
TEL: 886-2-82271388 FAX: 886-2-82272198

DESIGN	Jeff	SCALE		
DRAWING	Jeff	UNIT	mm	
CHECK	Jeff	SIZE	A4: 210*297	
APPROVAL	Honda	VERSION	02	

TOLERANCE UNLESS OTHERWISE STATED(mm)	PART NAME	DC POWER SOCKET
0 _____ ±0.30	PART NO	DC-060D
0.0 _____ ±0.20	DRAWING NO	
0.00 _____ ±0.10	DATE	2019/05/09
ANGLE _____ ±2°		

www.dawning2.com.tw