

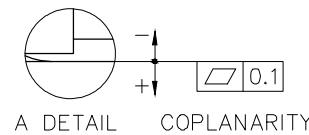
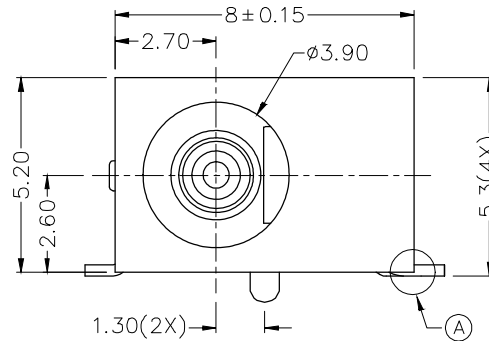
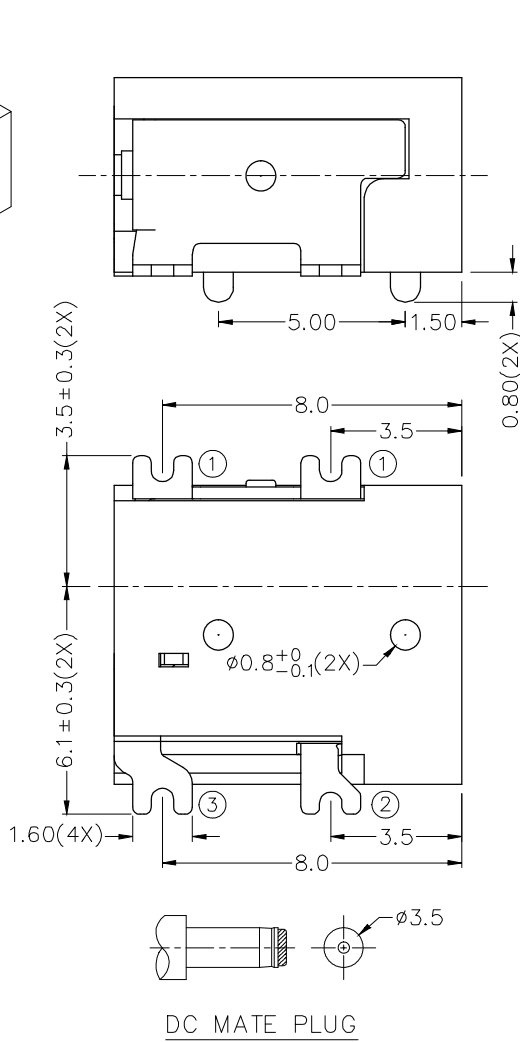
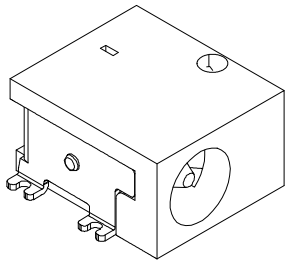
△				
△				
△				
△				
ZONE	REV	DESCRIPTION	DATE	APPD.

DC-018H-1.3-S011

CENTER PIN
1.3=1.3mm

R&D發行
2016.10.14
達立

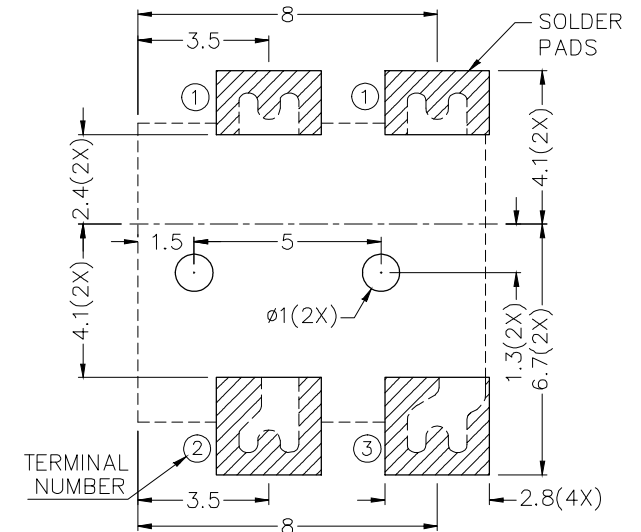
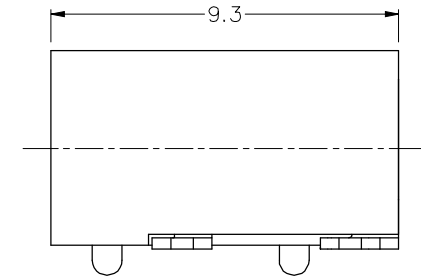
RoHS
Compatible



* MATERIAL:

- CENTER PIN : COPPER
- TERMINAL 1 : BRASS
- TERMINAL 2 : COPPER ALLOY
- TERMINAL 3 : BRASS
- HOUSING : HIGH TEMP. PLASTIC

MODEL NO.	DC-018H-1.3-S011
SCHEMATIC	
CENTER PIN	$\phi 1.3\text{mm}$



達立科技股份有限公司
Dawning Precision Co., Ltd.
TEL: 886-2-82271388 FAX: 886-2-82272198

DESIGN	Sean	SCALE			TOLERANCE UNLESS OTHERWISE STATED(mm)	PART NAME	HIGH CURRENT SMD DC POWER SOCKET
DRAWING	Sean	UNIT	mm		0 _____ ± 0.5	PART NO	DC-018H-1.3-S011
CHECK	Sean	SIZE	A4: 210*297		0.0 _____ ± 0.25	DRAWING NO	
APPROVAL	Honda	VERSION	01		0.00 _____ ± 0.15	DATE	2016/10/14
					ANGLE _____ $\pm 2^\circ$		