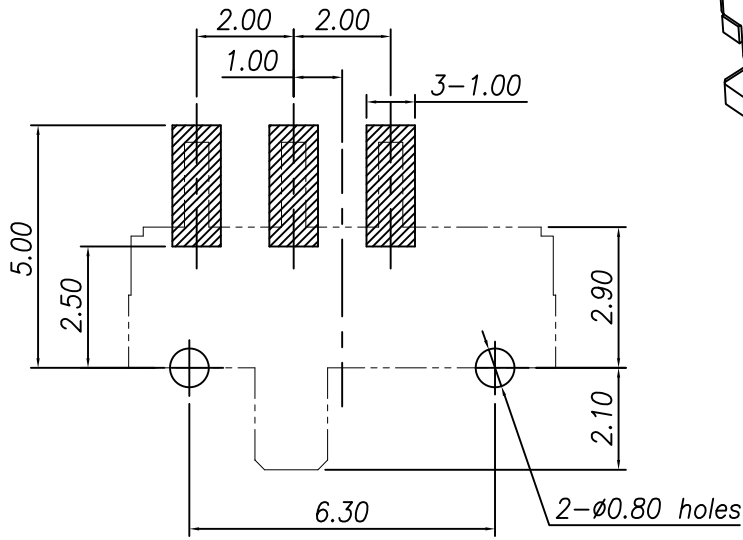
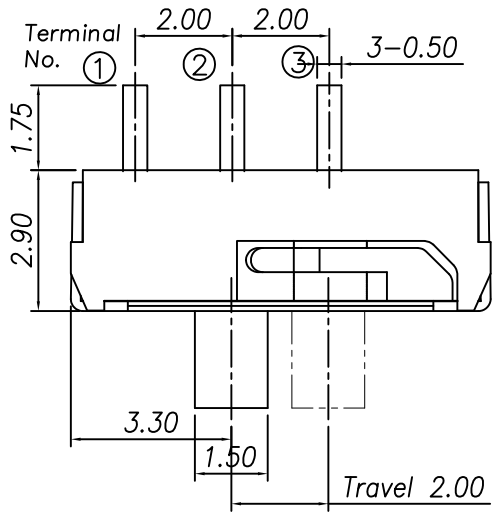
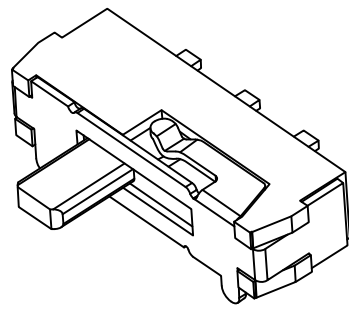


RoHS
Compatible

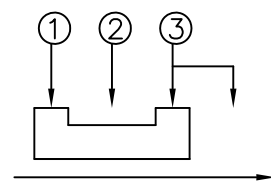
發行
2012.12.07
達立

△				
△				
△				
△				
ZONE	REV	DESCRIPTION	DATE	APPD.

P.C.B Mounting
pattern Dimension

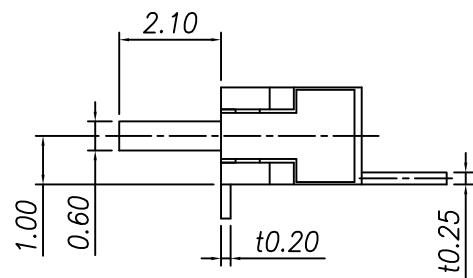
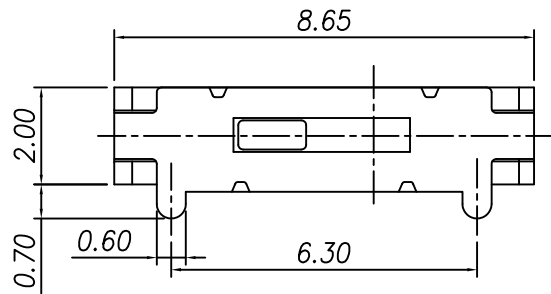


Circuit Diagram



Specifications

1. Rating : 50mA 12V DC
2. Circuit : 1C-2P
3. Contact resistance : 100mΩ Max.
4. Insulation resistance : 100MΩ Min.
5. Withstand range : 250V 50Hz 1 minute
6. Travel : 2±0.1mm
7. Operating force : 120±50gf
8. Operating life : 10,000 cycles Min.



5	Clip	Phosphor Bronze	1	Ag Plated
4	Cover	Stainless Steel	1	Ag Plated
3	Knob	PPA	1	Black
2	Terminal	Phosphor Bronze	1	Ag Plated
1	Case	PA6T	1	Black
NO	Part Name	Material	Q'ty	Finishing

達立科技股份有限公司
Dawning Precision Co., Ltd.
TEL: 886-2-82271388 FAX: 886-2-82272198

DESIGN	Benson	SCALE	
DRAWING	Benson	UNIT	mm
CHECK	Benson	SIZE	A4: 210*297
APPROVAL	Eric	VERSION	01

TOLERANCE UNLESS OTHERWISE STATED(mm)	
less than 5	±0.2
5~10	±0.3
10~30	±0.4
ANGIE	±2°

PART NAME	SLIDE SWITCH
PART NO	SS-B70-BK-S085
DRAWING NO	
DATE	2012/11/29