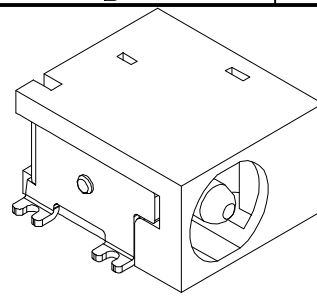
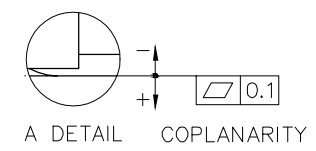
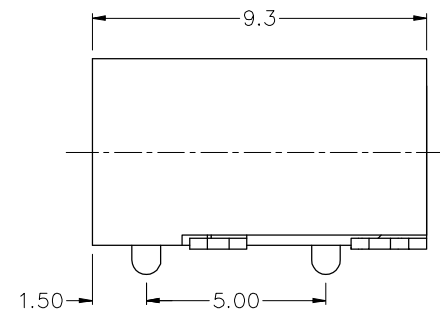
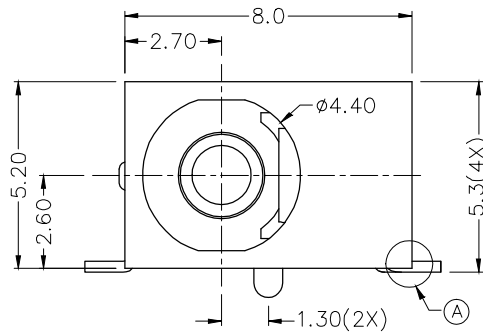
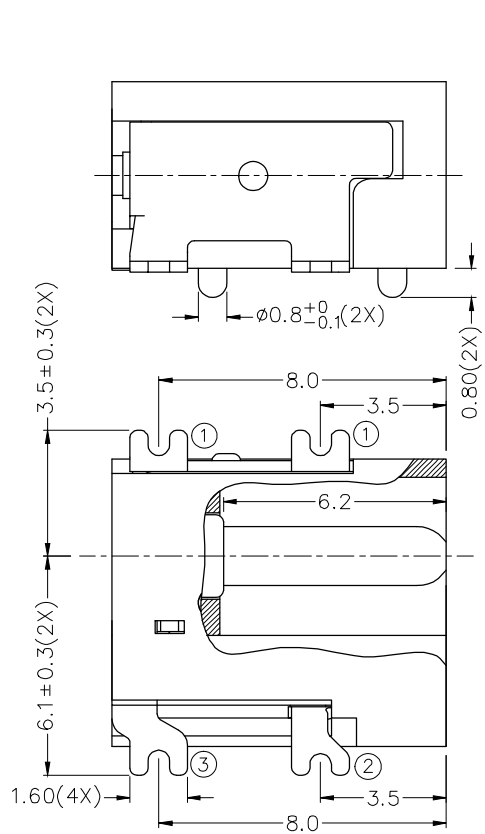


△				
△				
△				
△				
ZONE	REV	DESCRIPTION	DATE	APPD.

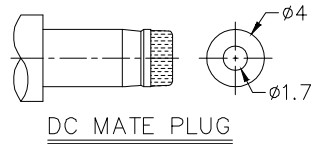
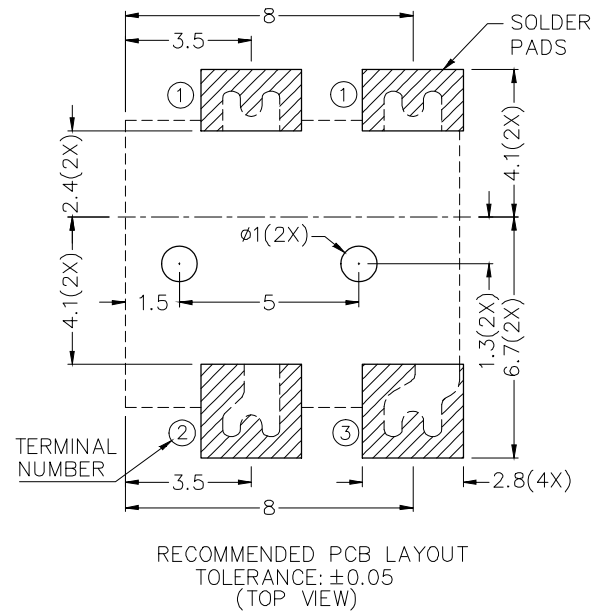


R&D發行
2016.08.17
達立

RoHS
Compatible



* MATERIAL:
CENTRE PIN : COPPER
TERMINAL 1 : BRASS
TERMINAL 2 : COPPER ALLOY
TERMINAL 3 : BRASS
HOUSING : PA10T



MODEL NO.	DC-033H-B2
SCHEMATIC	
CENTER PIN	φ1.65mm

達立科技股份有限公司
Dawning Precision Co., Ltd.
TEL: 886-2-82271388 FAX: 886-2-82272198

DESIGN	Sean	SCALE		
DRAWING	Sean	UNIT	mm	
CHECK	Sean	SIZE	A4: 210*297	
APPROVAL	Honda	VERSION	02	

TOLERANCE UNLESS OTHERWISE STATED(mm)	PART NAME	DC POWER SOCKET
0 ——— ±0.5	PART NO	DC-033H-B2
0.0 ——— ±0.3	DRAWING NO	
0.00 ——— ±0.2	DATE	2016/08/17
ANGLE ——— ±2°		