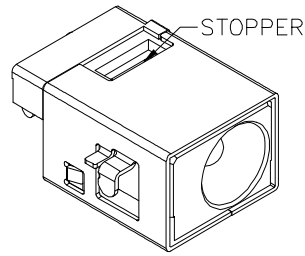
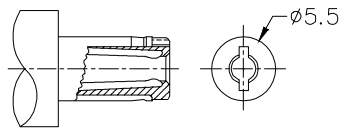
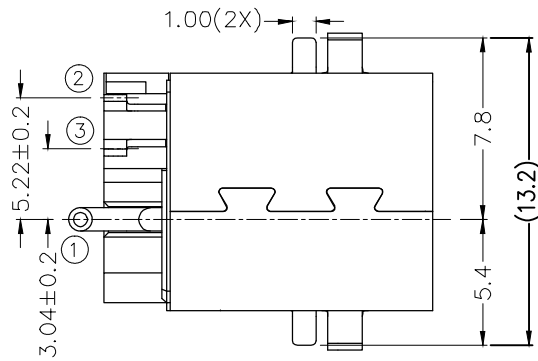
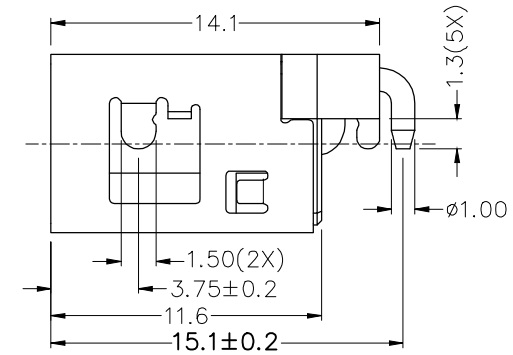
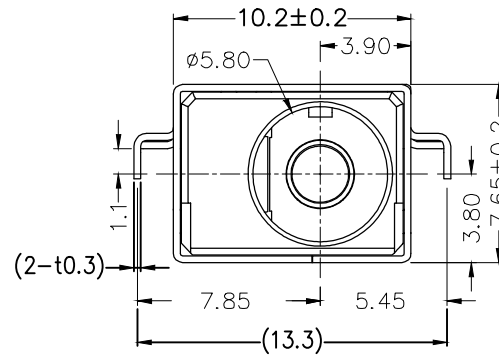
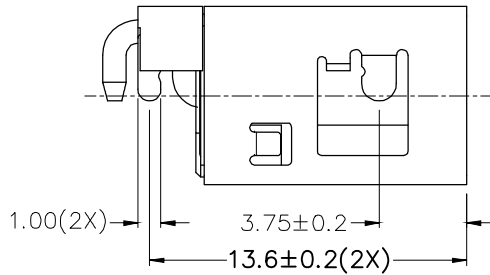


△				
△				
△				
△				
ZONE	REV	DESCRIPTION	DATE	APPD.



R&D發行  
2017.01.20  
達立

**RoHS**  
**Compatible**

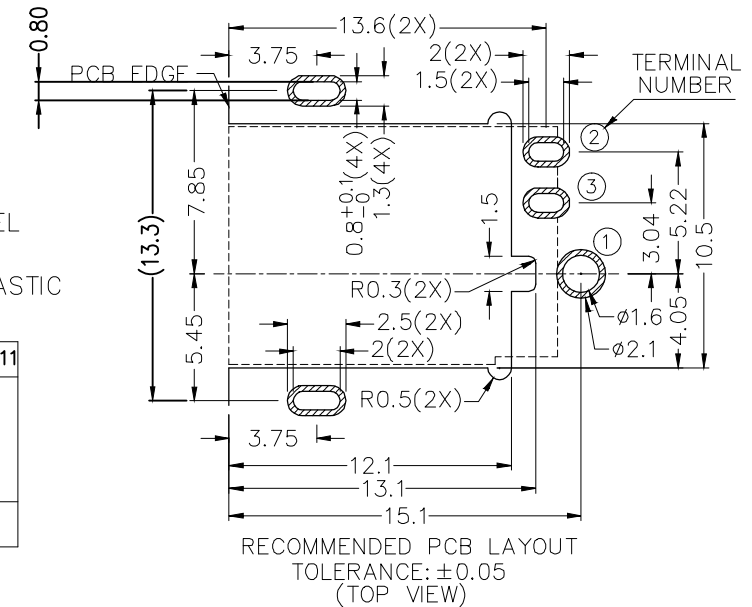


DC MATE PLUG

**\* MATERIAL**

- TERMINAL 1 : BRASS
- TERMINAL 2 : COPPER ALLOY
- TERMINAL 3 : BRASS
- SHIELD-A : BRASS
- SHIELD-B : STAINLESS STEEL
- STOPPER : C.R.STEEL
- HOUSING : HIGH TEMP. PLASTIC

MODEL NO.	DC-104DHS2-H-S011
SCHEMATIC	
CENTER PIN	φ2.5mm



**達立科技股份有限公司**  
**Dawning Precision Co., Ltd.**  
TEL: 886-2-82271388 FAX: 886-2-82272198

DESIGN	Sean	SCALE		
DRAWING	Sean	UNIT	mm	
CHECK	Sean	SIZE	A4: 210*297	
APPROVAL	Honda	VERSION	01	

TOLERANCE UNLESS OTHERWISE STATED(mm)	
0	±0.5
0.0	±0.25
0.00	±0.15
ANGLE	±2°

PART NAME	HIGH CURRENT SMD DC POWER SOCKET
PART NO	DC-104DHS2-H-S011
DRAWING NO	
DATE	2016/01/20