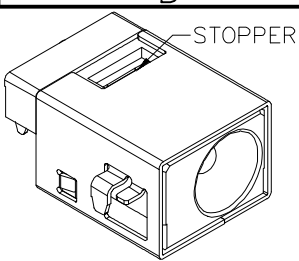
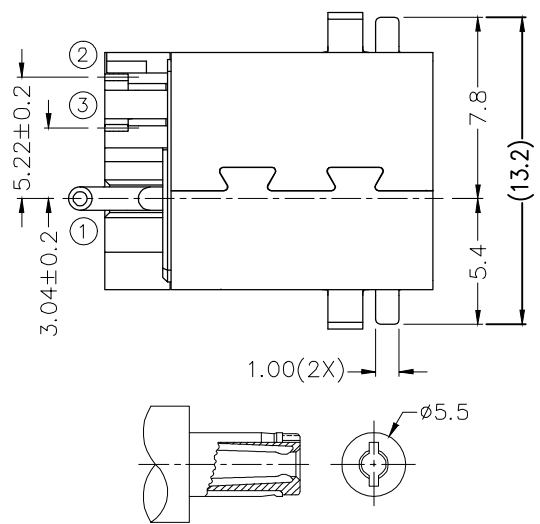
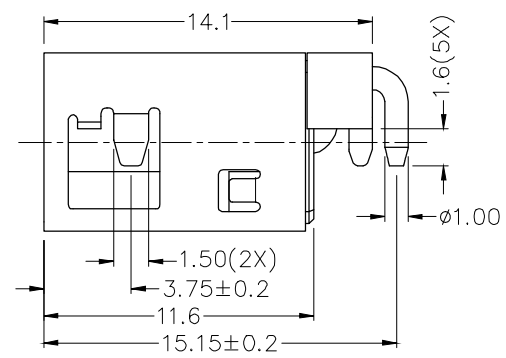
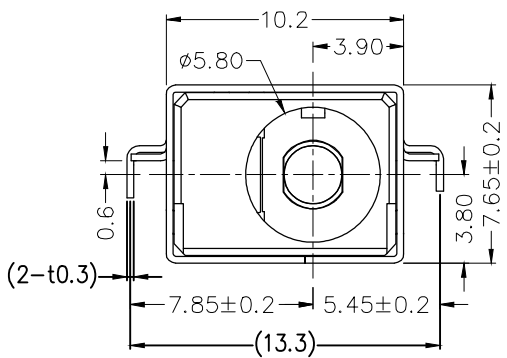
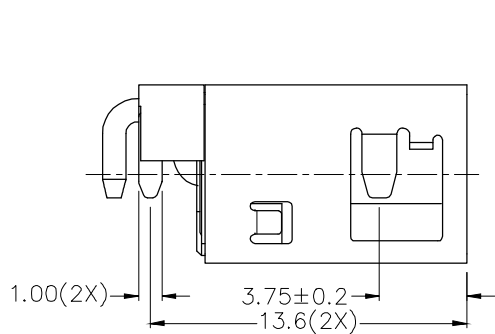


▲				
▲				
▲				
▲				
ZONE	REV	DESCRIPTION	DATE	APPD.



R&D發行  
2017.01.20  
達立

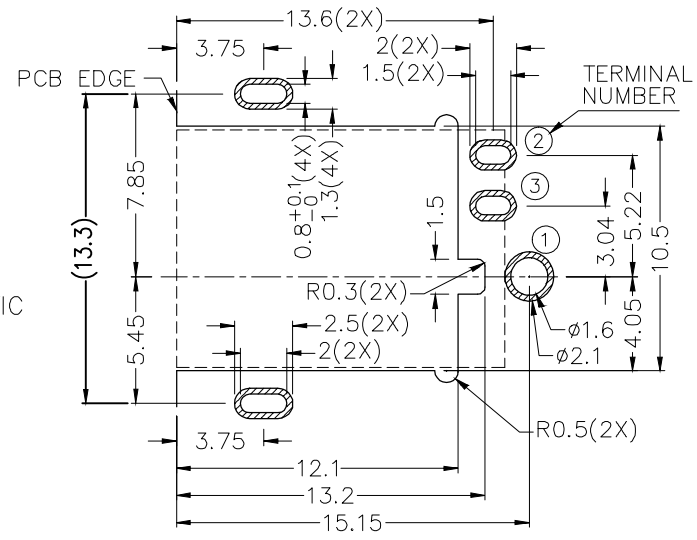
**RoHS**  
Compatible



**\* MATERIAL**

TERMINAL 1 : BRASS  
 TERMINAL 2 : COPPER ALLOY  
 TERMINAL 3 : BRASS  
 SHIELD-A : BRASS  
 SHIELD-B : STAINLESS STEEL  
 STOPPER : C.R.STEEL  
 HOUSING : HIGH TEMP. PLASTIC

MODEL NO.	DC-107DHS-H-S011
SCHEMATIC	1, 3, 2
CENTER PIN	Ø2.5mm



RECOMMENDED PCB LAYOUT  
TOLERANCE: ±0.05  
(TOP VIEW)

**達立科技股份有限公司**  
**Dawning Precision Co., Ltd.**  
 TEL: 886-2-82271388 FAX: 886-2-82272198

DESIGN	Sean	SCALE		
DRAWING	Sean	UNIT	mm	
CHECK	Sean	SIZE	A4: 210*297	
APPROVAL	Honda	VERSION	01	

TOLERANCE UNLESS OTHERWISE STATED(mm)	PART NAME	HIGH CURRENT SMD DC POWER SOCKET
0 _____ ±0.5	PART NO	DC-107DHS-H-S011
0.0 _____ ±0.25	DRAWING NO	
0.00 _____ ±0.15	DATE	2016/01/20
ANGLE _____ ±2°		