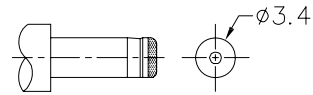
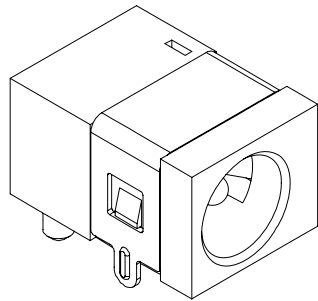
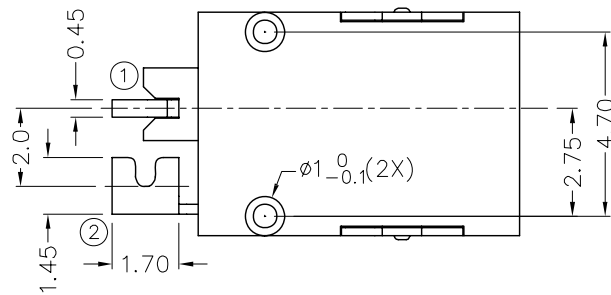
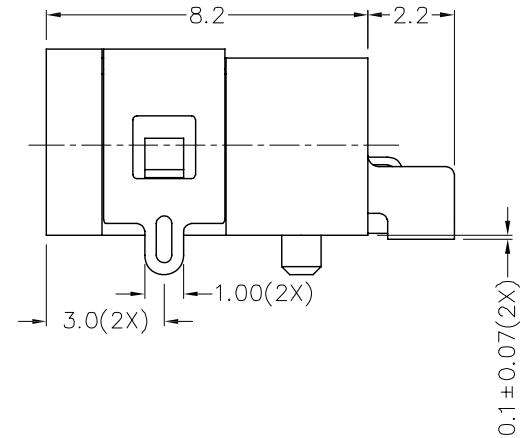
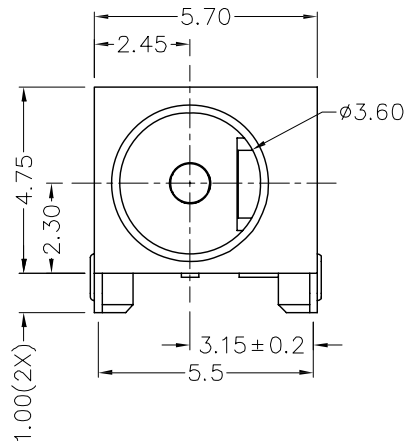
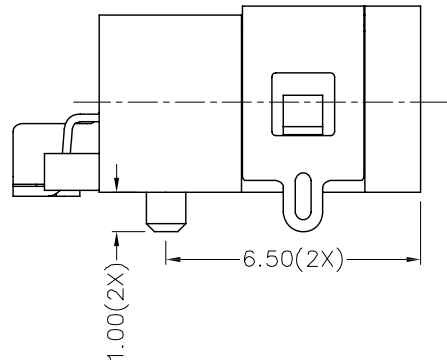


RoHS
Compatible

△				
△				
△				
△				
ZONE	REV	DESCRIPTION	DATE	APPD.



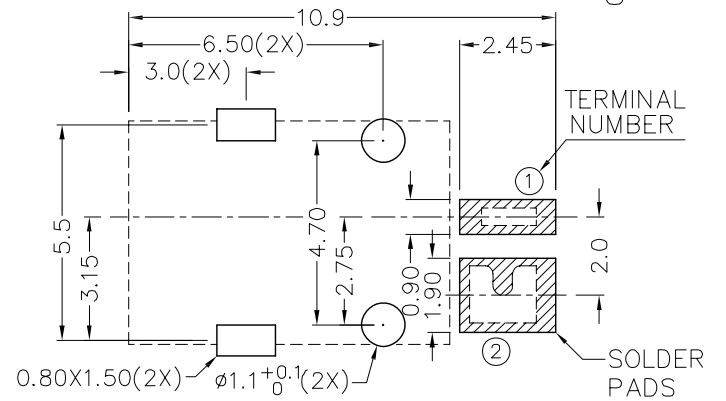
DC MATE PLUG



* MATERIAL

TERMINAL 1 : COPPER ALLOY
TERMINAL 2 : COPPER ALLOY
SHIELD : BRASS
HOUSING : PA6T

MODEL NO.	DC-070DS
SCHEMATIC	
CENTER PIN	ø1mm



RECOMMENDED
SOLDER PAD LAYOUT

達立科技股份有限公司

Dawning Precision Co., Ltd.
TEL: 886-2-82271388 FAX: 886-2-82272198

DESIGN	Will	SCALE			TOLERANCE UNLESS OTHERWISE STATED(mm)	PART NAME	DC POWER SOCKET
DRAWING	Will	UNIT	mm		less than 10	PART NO	DC-070DS
CHECK	Will	SIZE	A4: 210*297		10~30	DRAWING NO	
APPROVAL	Eric	VERSION	01		30~100	DATE	2009/06/08
					ANGIE		

www.dawning2.com.tw