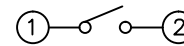


| | | | | |
|------|-----|-------------|------|-------|
| △ | | | | |
| △ | | | | |
| △ | | | | |
| △ | | | | |
| ZONE | REV | DESCRIPTION | DATE | APPD. |

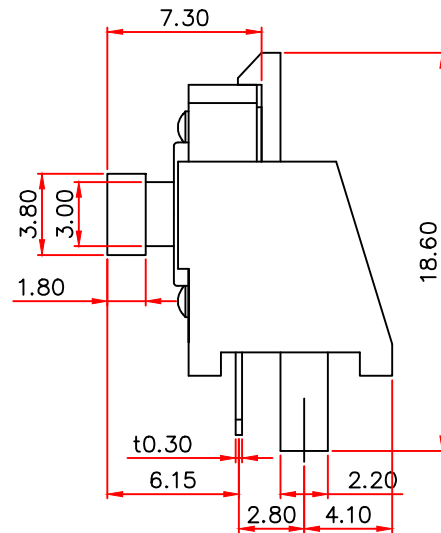
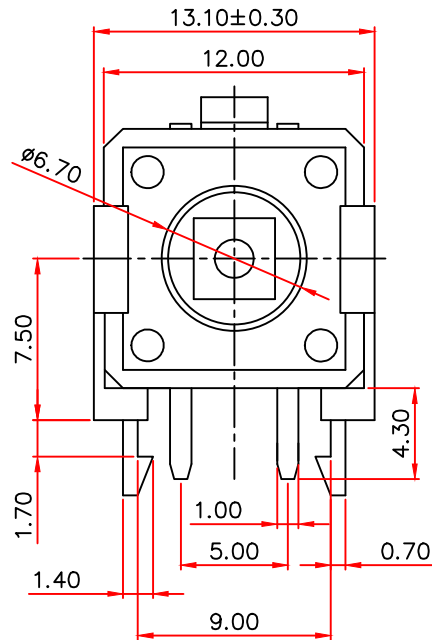
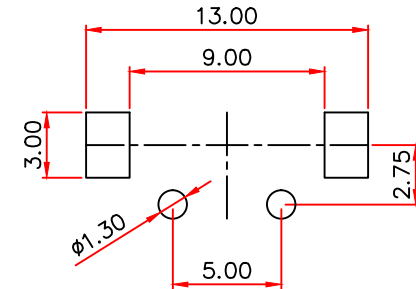
R&D
2018.09.06
達立

RoHS
Compatible

CIRCUIT DIAGRAM



RECOMMENED P.C.B MOUNTING PATTERN DIMENSION



Specifications

1. Rating : DC 12V, 50mA.
2. Contact resistance : 100mΩ Max.
3. Insulation resistance : 100MΩ Min.
4. Operating force : 160±50gf
5. Operating life : 100,000 cycles.

| | | | | |
|-----|-----------|--------------|------|-----------|
| 5 | Stem | Nylon | 1 | —— |
| 4 | Cover | Steel | 1 | —— |
| 3 | Contact | Copper alloy | 1 | —— |
| 2 | Terminal | Copper alloy | 1 | —— |
| 1 | Case | Nylon | 1 | —— |
| No. | Part Name | Material | Q'ty | Finishing |

達立科技股份有限公司



Dawning Precision Co., Ltd.

TEL: 886-2-82271388 FAX: 886-2-82272198

| | | | | |
|----------|-------|---------|-------------|--|
| DESIGN | Eason | SCALE | | |
| DRAWING | Eason | UNIT | mm | |
| CHECK | Eason | SIZE | A4: 210*297 | |
| APPROVAL | Honda | VERSION | 01 | |

| | | | |
|---------------------------------------|----------|------------|-----------------|
| TOLERANCE UNLESS OTHERWISE STATED(mm) | | PART NAME | TACT SWITCH |
| 0 | —— ±0.35 | PART NO | TS-A03VM-2-S085 |
| 0.0 | —— ±0.30 | DRAWING NO | |
| 0.00 | —— ±0.20 | DATE | 2018/09/06 |
| ANGLE | —— ±3' | | |