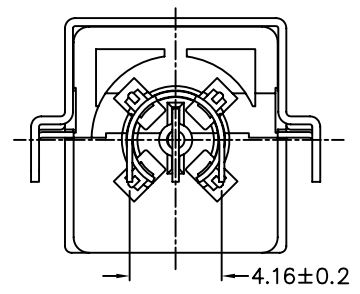
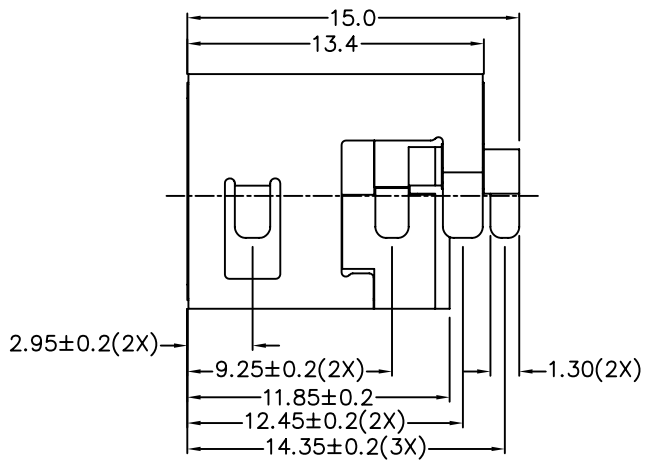
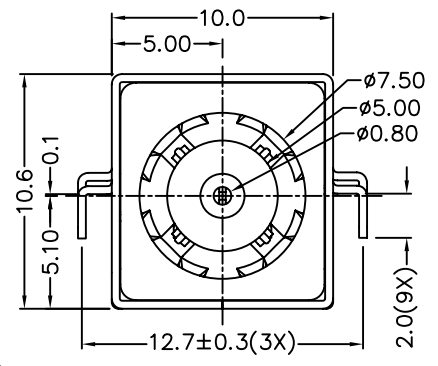
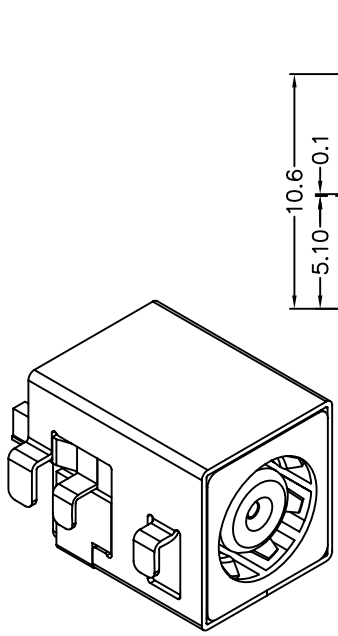


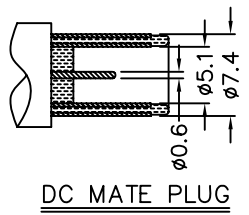
△				
△				
△				
△				
ZONE	REV	DESCRIPTION	DATE	APPD.

發行
2012.08.01
達立

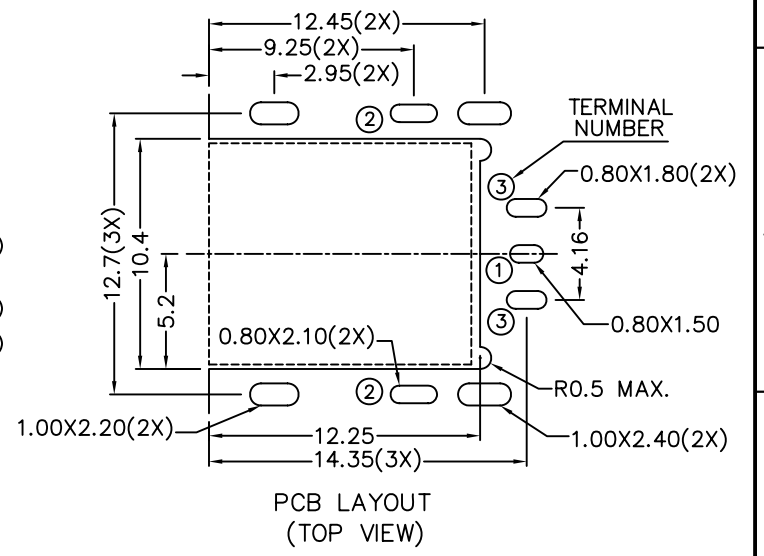
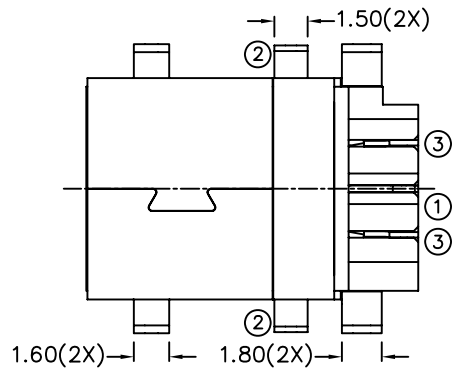
RoHS
Compatible



*** MATERIAL**
 TERMINAL 1 : COPPER ALLOY
 TERMINAL 2 : COPPER ALLOY
 TERMINAL 3 : COPPER ALLOY
 SHIELD : BRASS
 HOUSING : PA6T
 COVER : PA6T



MODEL NO.	DC-089DHS
SCHMATIC	3(V+) 1(S) 2(V-)



達立科技股份有限公司
Dawning Precision Co., Ltd.
 TEL: 886-2-82271388 FAX: 886-2-82272198

DESIGN	Benson	SCALE			TOLERANCE UNLESS OTHERWISE STATED(mm) less than 10 ±0.2 10~30 ±0.3 30~100 ±0.5 ANGIE ±2°
DRAWING	Benson	UNIT	mm		
CHECK	Benson	SIZE	A4: 210*297		
APPROVAL	Eric	VERSION	01		

PART NAME	DC POWER SOCKET
PART NO	DC-089DHS
DRAWING NO	
DATE	2012/08/01