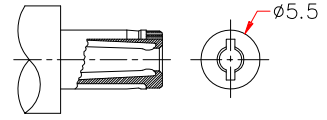
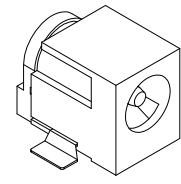
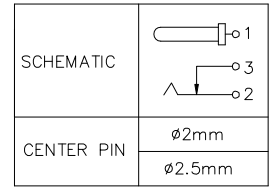


RoHS
Compatible

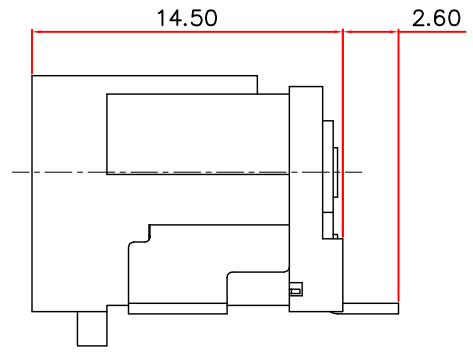
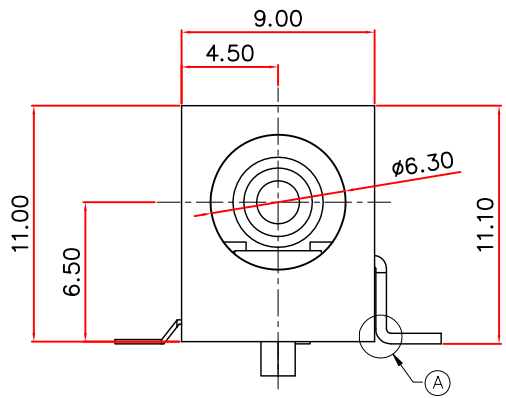
R&D發行
2020.03.20
達立

ORDER INFORMATION :
DC-061DH-x-S011

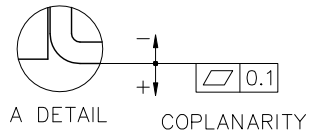
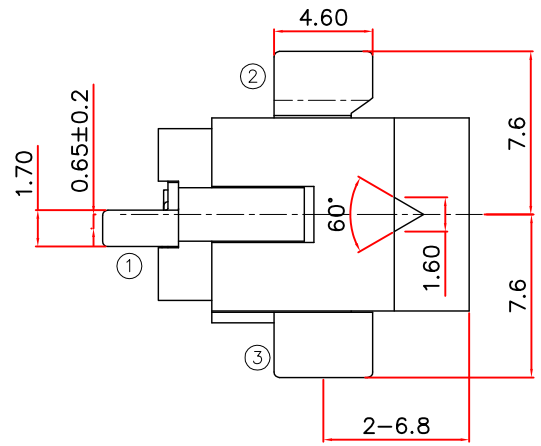
Center Pin :
2.0 = 2.00 mm
2.5 = 2.50 mm



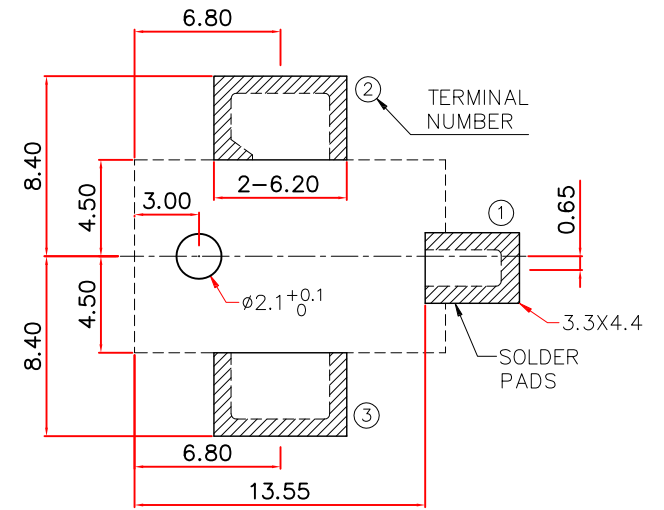
DC Mate plug



RECOMMENED P.C.B MOUNTING
PATTERN DIMENSION (TOP VIEW)



Material :
Center Pin : Copper alloy
Terminal 1 : Brass
Terminal 2 : Copper alloy
Terminal 3 : Brass
Housing : PA10T
Cover : PA10T



達立科技股份有限公司
Dawning Precision Co., Ltd.
TEL: 886-2-82271388 FAX: 886-2-82272198

DESIGN	Jeff	SCALE			TOLERANCE UNLESS OTHERWISE STATED(mm)	PART NAME	DC POWER SOCKET
DRAWING	Jeff	UNIT	mm		0 _____ ±0.40	PART NO	DC-061DH-x Series
CHECK	Jeff	SIZE	A4: 210*297		0.0 _____ ±0.20	DRAWING NO	
APPROVAL	Honda	VERSION	02		0.00 _____ ±0.10	DATE	2020/03/20
					ANGLE _____ ±2'		

www.dawning2.com.tw