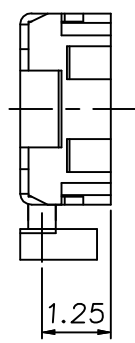
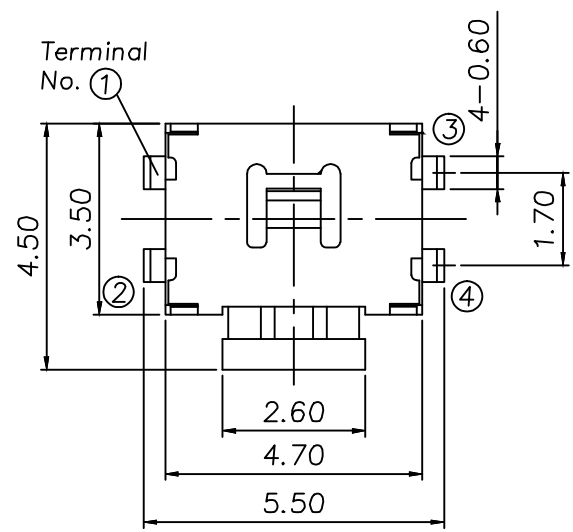


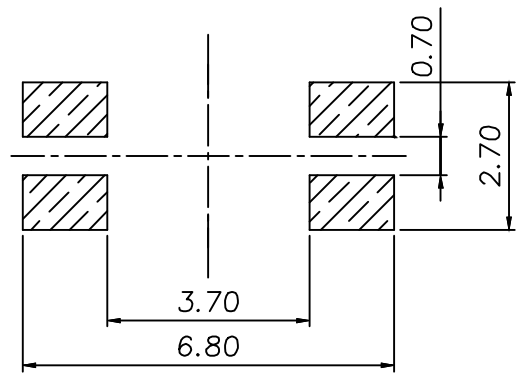
▲				
▲				
▲				
▲				
ZONE	REV	DESCRIPTION	DATE	APPD.

研發  
2015.06.12  
達立

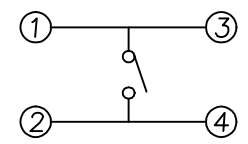
**RoHS**  
**Compatible**



P.C.B Mounting pattern Dimension



Circuit Diagram

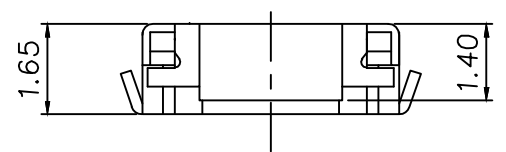


Order information  
TS-A14NU-2-S055

Bending Type Terminal  
Without Emboss

Specifications

1. Rating : 50mA, DC 12V Max.
2. Circuit : 1C-1P
3. Contact resistance : 100mΩ Max
4. Travel : 0.3±0.1mm
5. Operating force : 220±50gf
6. Operating life : 100,000 cycles Min.



6	Dust Cover	Pi Film t=0.05	1	Yellow
5	Terminal	Brass t=0.15	4	Ag Plated 0.5μm
4	Cover	Stainless Steel t=0.15	1	
3	Contact	Stainless Steel t=0.05	1	Ag Clad
2	Stem	Polyamide	1	Black,UL 94-HB
1	Case	Liquid Crystal Polymer	1	Black,UL 94-HB
No.	Part Name	Material	Q'ty	Finishing

**達立科技股份有限公司**  
**Dawning Precision Co.,Ltd.**  
TEL: 886-2-82271388 FAX: 886-2-82272198

DESIGN	Ross	SCALE		
DRAWING	Sean	UNIT	mm	
CHECK	Elsa	SIZE	A4: 210*297	
APPROVAL	Eric	VERSION	01	

TOLERANCE UNLESS OTHERWISE STATED(mm)	PART NAME	TACT SWITCH
less than 10 — ±0.15	PART NO	TS-A14NU-2-S055
10~30 — ±0.2	DRAWING NO	
30~100 — ±0.3	DATE	2015/06/12
ANGIE — ±3°		