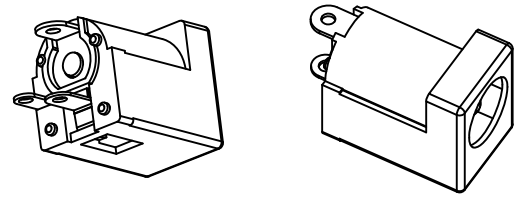


| | | | | |
|------|-----|-------------|------|-------|
| △ | | | | |
| △ | | | | |
| △ | | | | |
| △ | | | | |
| ZONE | REV | DESCRIPTION | DATE | APPD. |

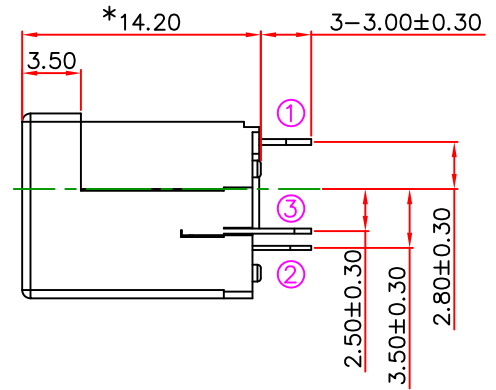
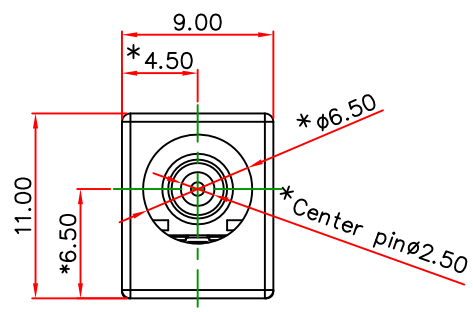
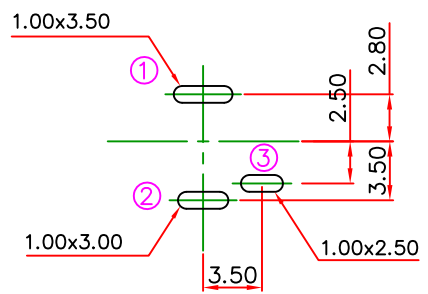
RoHS
Compatible

HF
Halogen Free

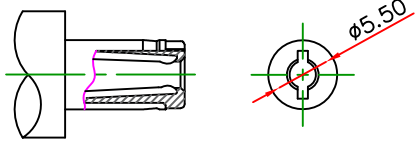


| | |
|------------|-----------------|
| Schematic | 1 3 2 |
| Center Pin | ∅2.50mm |

RECOMMENED P.C.B MOUNTING PATTERN DIMENSION



R&D發行
2020.07.17
達立



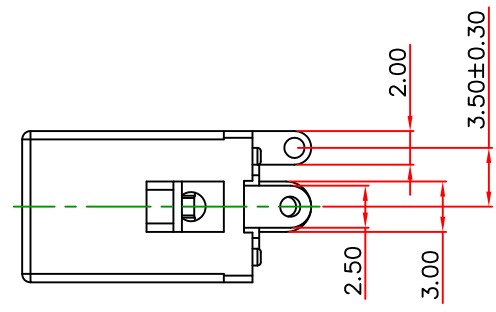
DC Mate plug

Material :

- Terminal 1 : Brass, Sn Plated
- Terminal 2 : Copper alloy, Sn Plated
- Terminal 3 : Brass, Sn Plated
- Center pin : Copper, Ni Plated
- Housing : PBT, Black
- Mark "*" is important dimensions.

Specification

- Rating : DC 16V, 2.5A.
- Contact resistance : ≤ 50mΩ;
After test: ≤100mΩ.
- Insulation resistance : ≥100MΩ (500 VDC)
After test: ≥50MΩ.
- Insertion and extraction force : 3N~30N.
- life test : 5,000 cycles.
- Operation temperature range: -25°C~85°C



達立科技股份有限公司
Dawning Precision Co.,Ltd.
TEL: 886-2-82271388 FAX: 886-2-82272198

| | | | | | | | |
|----------|-------|---------|-------------|--|---------------------------------------|------------|-----------------|
| DESIGN | Jeff | SCALE | | | TOLERANCE UNLESS OTHERWISE STATED(mm) | PART NAME | DC POWER SOCKET |
| DRAWING | Jeff | UNIT | mm | | 0 _____ ±0.40 | PART NO | DC-030-H-HF |
| CHECK | Jeff | SIZE | A4: 210*297 | | 0.0 _____ ±0.30 | DRAWING NO | |
| APPROVAL | Honda | VERSION | 01 | | 0.00 _____ ±0.20 | DATE | 2020/07/17 |
| | | | | | ANGLE _____ ±2° | | |