

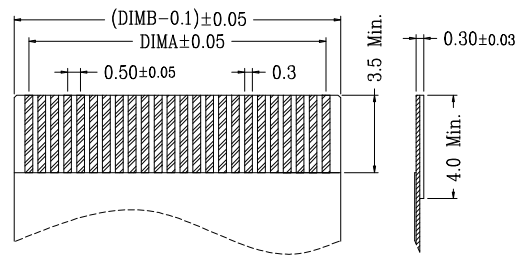
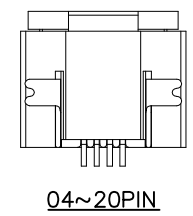
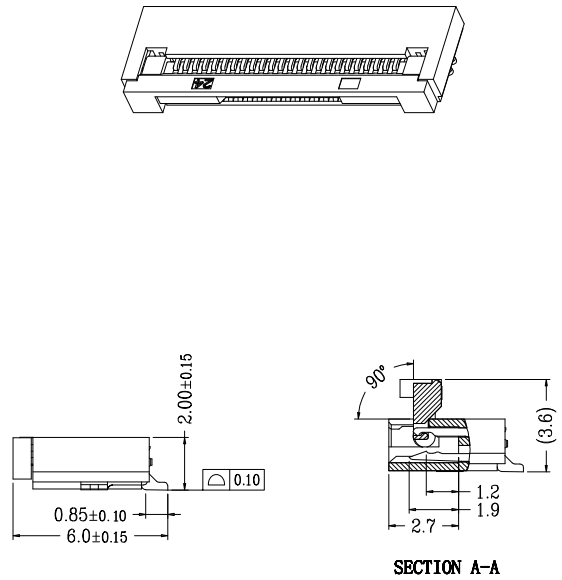
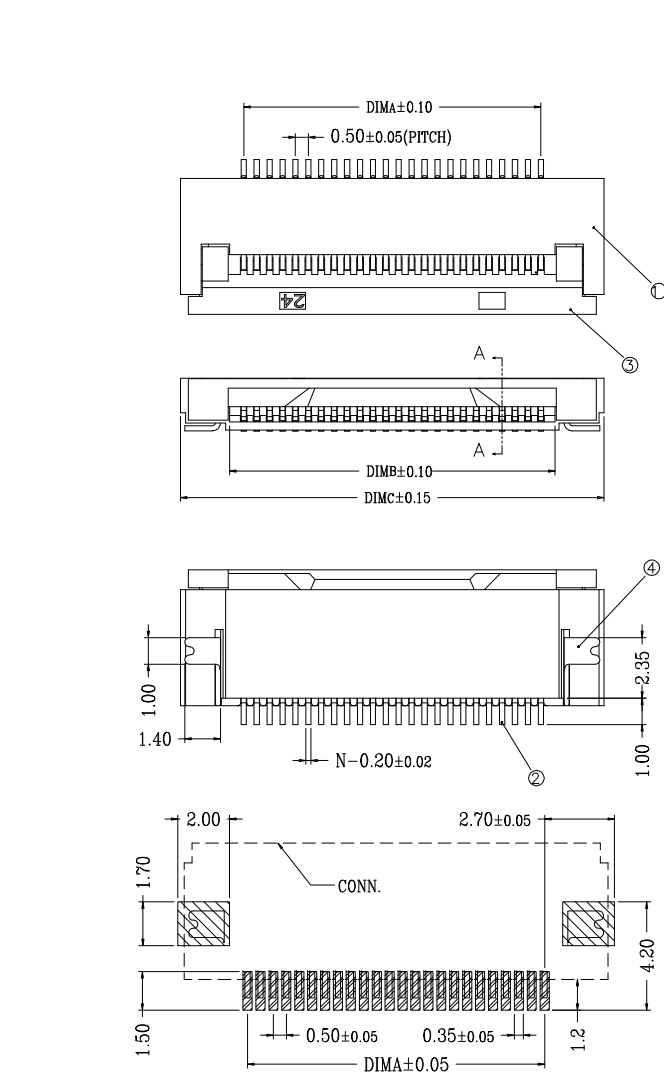
△				
△				
△				
△				
ZONE	REV	DESCRIPTION	DATE	APPD.

R&D發行
2020.11.10
達立

RoHS
Compatible

Order information :
FP0505HA -xx 0 xx N-S209
 1 2 3 4

1. Pin No. 04~65
2. Packing :
0 = Tape & Reel
3. Plating spec :
G0 = Gold Flash
TM = Matte Tin
4. Color :
N = Nature



Applicable Flat Cable

Specifications

1. Voltage Rating : 50V AC,DC
2. Contact Resistance : 50mΩ Max.
3. Insulation Resistance : 500MΩ Min.
4. Temperature Range : -25°C ~ +85°C

4	Peg	Copper alloy	1	Sn Plated
3	Cover	LCP ,UL94 V-0	1	Black
2	Contact	Copper alloy	1	_____
1	Housing	LCP ,UL94 V-0	1	Natural
No.	Part Name	Material	Qty	Finishing

RECOMMENED P.C.B MOUNTING

達立科技股份有限公司

Dawning Precision Co.,Ltd.

TEL: 886-2-82271388 FAX: 886-2-82272198

DESIGN	Jeff	SCALE		
DRAWING	Jeff	UNIT	mm	
CHECK	Jeff	SIZE	A4: 210*297	
APPROVAL	Baker	VERSION	01	

TOLERANCE UNLESS OTHERWISE STATED(mm)	PART NAME	FPC 0.5mm PITCH SMT TYPE(1/2)
0 _____ ±0.50	PART NO	FP0505HA-XX0XXN-S209
0.0 _____ ±0.30	DRAWING NO	
0.00 _____ ±0.20	DATE	2020/11/10
ANGLE _____ ±2°		

△				
△				
△				
△				
ZONE	REV	DESCRIPTION	DATE	APPD.

R&D發行
2020.11.10
達立

RoHS
Compatible

PIN NO.	Dimensions			PIN NO.	Dimensions		
	A	B	C		A	B	C
4	1.50	2.60	6.40	34	16.50	17.60	21.40
5	2.00	3.10	6.90	35	17.00	18.10	21.90
6	2.50	3.60	7.40	36	17.50	18.60	22.40
7	3.00	4.10	7.90	37	18.00	19.10	22.90
8	3.50	4.60	8.40	38	18.50	19.60	23.40
9	4.00	5.10	8.90	39	19.00	20.10	23.90
10	4.50	5.60	9.40	40	19.50	20.60	24.40
11	5.00	6.10	9.90	41	20.00	21.10	24.90
12	5.50	6.60	10.40	42	20.50	21.60	25.40
13	6.00	7.10	10.90	43	21.00	22.10	25.90
14	6.50	7.60	11.40	44	21.50	22.60	26.40
15	7.00	8.10	11.90	45	22.00	23.10	26.90
16	7.50	8.60	12.40	46	22.50	23.60	27.40
17	8.00	9.10	12.90	47	23.00	24.10	27.90
18	8.50	9.60	13.40	48	23.50	24.60	28.40
19	9.00	10.10	13.90	49	24.00	25.10	28.90
20	9.50	10.60	14.40	50	24.50	25.60	29.40
21	10.00	11.10	14.90	51	25.00	26.10	29.90
22	10.50	11.60	15.40	52	25.50	26.60	30.40
23	11.00	12.10	15.90	53	26.00	27.10	30.90
24	11.50	12.60	16.40	54	26.50	27.60	31.40
25	12.00	13.10	16.90	55	27.00	28.10	31.90
26	12.50	13.60	17.40	56	27.50	28.60	32.40
27	13.00	14.10	17.90	57	28.00	29.10	32.90
28	13.50	14.60	18.40	58	28.50	29.60	33.40
29	14.00	15.10	18.90	59	29.00	30.10	33.90
30	14.50	15.60	19.40	60	29.50	30.60	34.40
31	15.00	16.10	19.90	61	30.00	31.10	34.90
32	15.50	16.60	20.40	64	31.50	32.60	36.40
33	16.00	17.10	20.90	65	32.00	33.10	36.90

達立科技股份有限公司
Dawning Precision Co., Ltd.
TEL: 886-2-82271388 FAX: 886-2-82272198

DESIGN	Jeff	SCALE		
DRAWING	Jeff	UNIT	mm	
CHECK	Jeff	SIZE	A4: 210*297	
APPROVAL	Baker	VERSION	01	

TOLERANCE UNLESS OTHERWISE STATED(mm)
0 _____ ±0.50
0.0 _____ ±0.30
0.00 _____ ±0.20
ANGLE _____ ±2°

PART NAME	FPC 0.5mm PITCH SMT TYPE(2/2)
PART NO	FP0505HA-XX0XXN-S209
DRAWING NO	
DATE	2020/11/10