

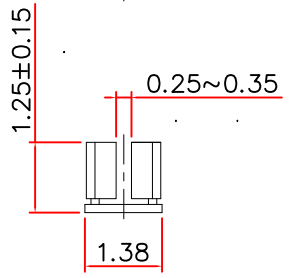
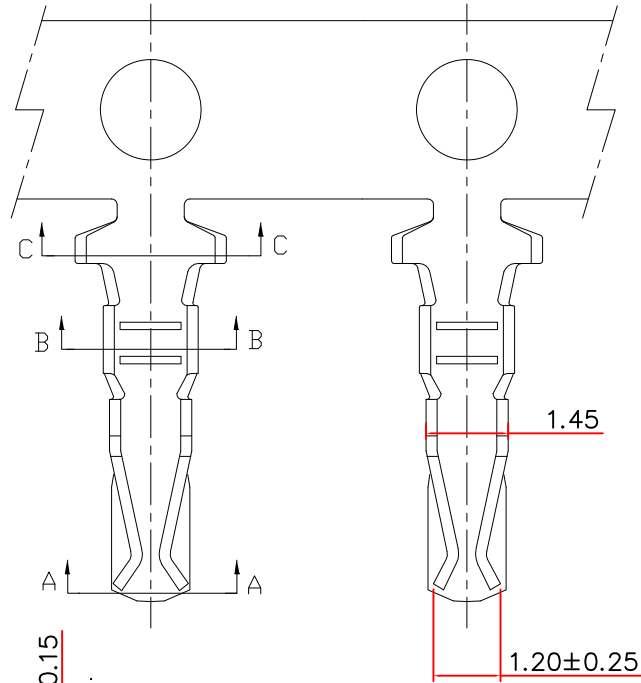
△				
△				
△				
△				
ZONE	REV	DESCRIPTION	DATE	APPD.

ORDER INFORMATION :
WB2003-TX

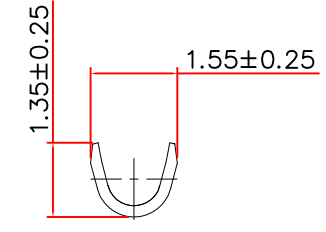
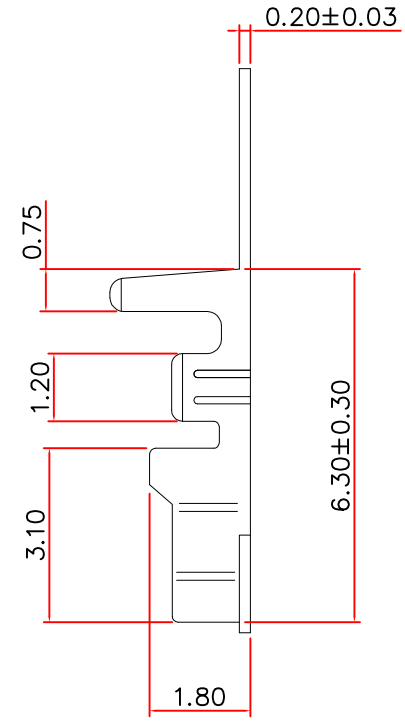
PLATING
G : GOLD FLASH
B : TIN 100u" MIN.

RoHS
Compatible

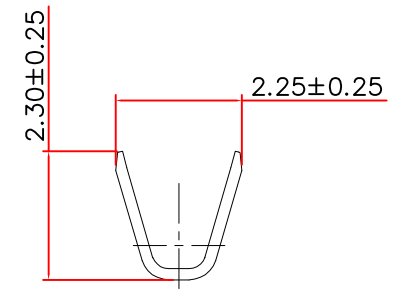
R&D發行
2020.04.29
達立



SECTION A-A



SECTION B-B



SECTION C-C

NOTE:

1. Material : PBS
2. Application Wire : AWG #22 ~ AWG #30
3. Insulation O.D. : 1.60mm (Max.)

達立科技股份有限公司
Dawning Precision Co., Ltd.
TEL: 886-2-82271388 FAX: 886-2-82272198

DESIGN	Jeff	SCALE		
DRAWING	Jeff	UNIT	mm	
CHECK	Jeff	SIZE	A4: 210*297	
APPROVAL	Honda	VERSION	01	

TOLERANCE UNLESS OTHERWISE STATED(mm)	
0	±0.50
0.0	±0.35
0.00	±0.25
ANGLE	±1°

PART NAME	TERMINAL 2.00mm PITCH
PART NO	WB2003-TX
DRAWING NO	
DATE	2020/04/29