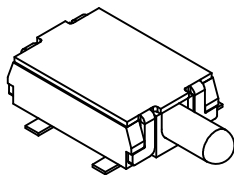
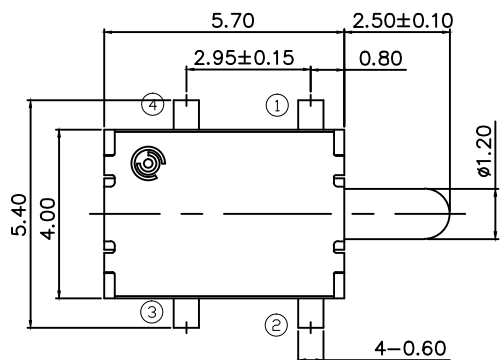


△				
△				
△				
△	A	Initial Release	2021.06.09	Jeff
ZONE	REV	DESCRIPTION	DATE	APPD.

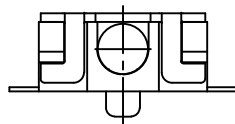
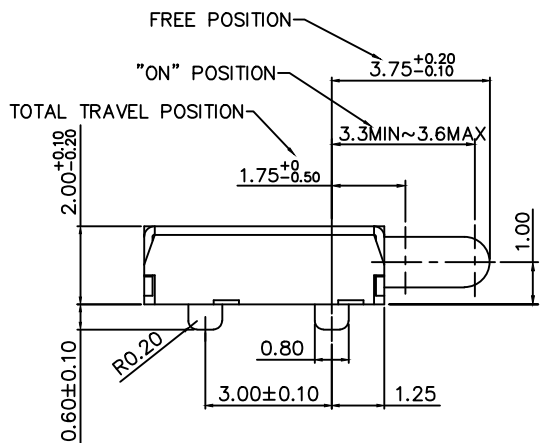
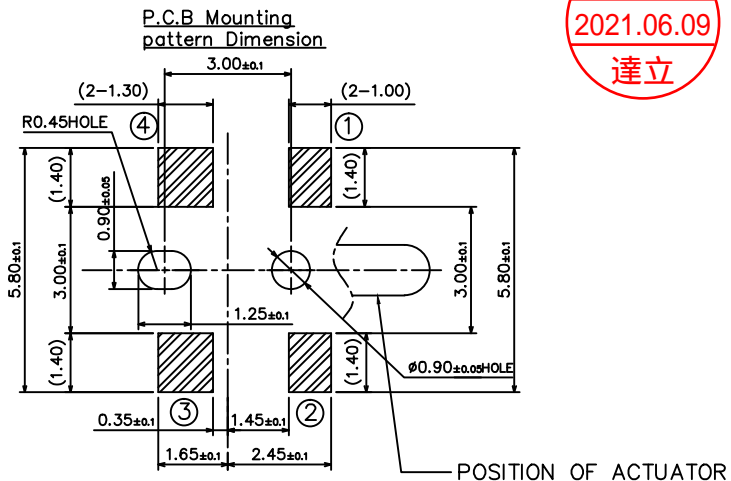
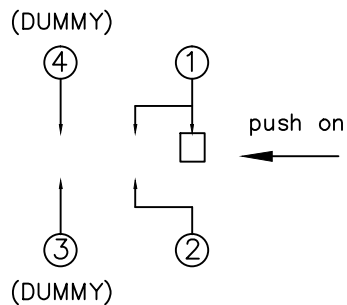


RoHS
Compatible

R&D發行
2021.06.09
達立



Circuit Diagram



Specifications

1. Rating: DC12V ,100mA
2. Contact Resistance : 1Ω MAX.
3. Insulation Resistance : DC 100V-100MΩ Min.
4. Withstand Voltage : AC100-1 minute.
5. Operation : 100±50gf.
6. Life Cycles : 100,000 cycles

6	Coil spring	Stainless Steel	1	————
5	Contact plate	Copper alloy	1	Ag Plate 0.5μm min
4	Terminal	Copper alloy	2	Ag plated 0.5μm min over Ni plated 0.15μm min
3	Case	LCP	1	Black color
2	Actuator	PA10T	1	Black color
1	Cover	Stainless Steel	1	————
NO	PART NAME	MATERIAL	Q'TY	FINISHING

達立科技股份有限公司
Dawning Precision Co.,Ltd.
TEL: 886-2-82271388 FAX: 886-2-82272198

DESIGN	Jeff	SCALE		
DRAWING	Jeff	UNIT	mm	
CHECK	Jeff	SIZE	A4: 210*297	
APPROVAL	Jonus	VERSION	A	

TOLERANCE UNLESS OTHERWISE STATED(mm)	PART NAME	DETECTOR SWITCH
0 ——— ±0.4	PART NO	DS-B50A
0.0 ——— ±0.3	DRAWING NO	C-DS-B50A-101
0.00 ——— ±0.2	DATE	2021/06/09
ANGLE ——— ±2°		