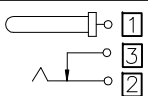
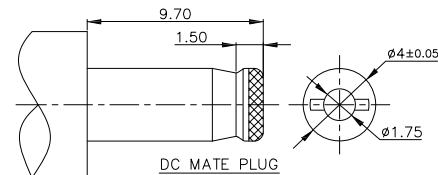


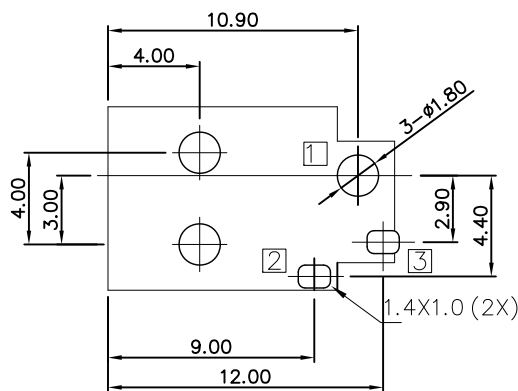
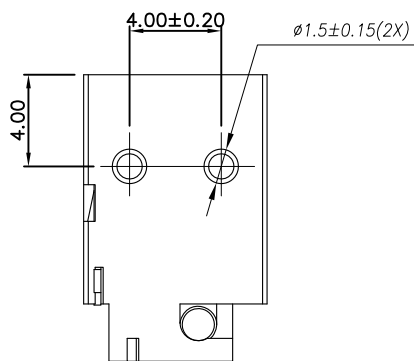
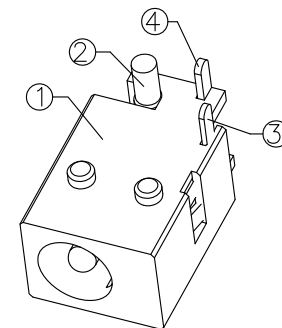
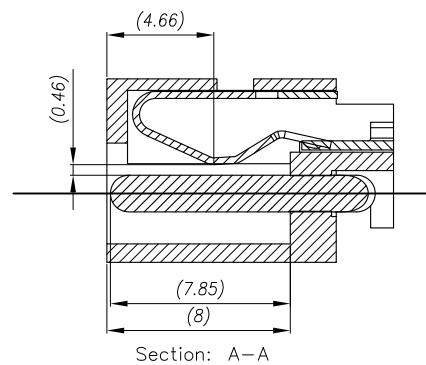
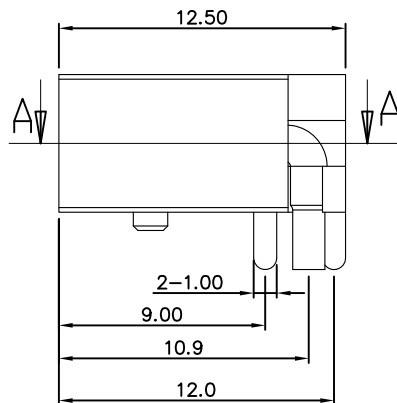
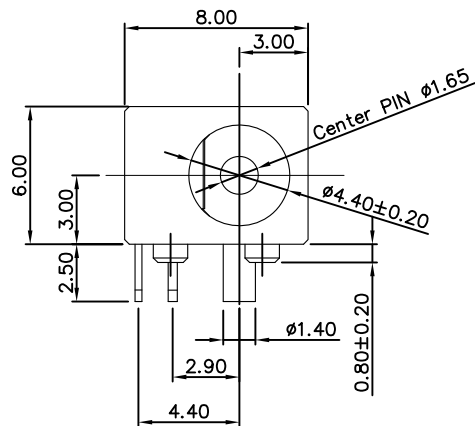
△				
△				
△				
△				
ZONE	REV	DESCRIPTION	DATE	APPD.

RD&發行  
2022.11.14  
達立

SCHEMATIC	
CENTER PIN	ø1.65mm



RoHS  
Compatible



RECOMMENDED P.C.B.LAYOUT  
UNSPECIFIED TOLERANCE: ±0.05  
(BOTTOM VIEW)

Specification

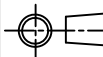
1. Rating : DC 20V, 3A.
2. Contact resistance : ≤ 30mΩ;  
After test: ≤50mΩ.
3. Insulation resistance : ≥100MΩ (500 VDC)  
After test: ≥50MΩ.
4. Withstand voltage : 500VAC.
5. Insertion and extraction force : 3N~30N.
6. life test : 5,000 cycles.
7. Operation temperature range: -20°C~70°C

4	Terminal 3	Brass,t=0.4	1	Silver Plated
3	Terminal 2	PBS,t=0.3	1	Silver Plated
2	Terminal 1	Brass	1	Silver Plated
1	Housing	PBT	1	Black
No.	Part Name	Material	Q'ty	Remarks

達立科技股份有限公司

Dawning Precision Co.,Ltd.

TEL: 886-2-82271388 FAX: 886-2-82272198

DESIGN	Jeff	SCALE			TOLERANCE UNLESS OTHERWISE STATED(mm)
DRAWING	Jeff	UNIT	mm		0 _____ ±0.50
CHECK	Jeff	SIZE	A4: 210*297		0.0 _____ ±0.40
APPROVAL	Honda	VERSION	02		0.00 _____ ±0.30
					ANGLE _____ ±2°

PART NAME	DC POWER SOCKET
PART NO	DC-066-S057
DRAWING NO	
DATE	2022/11/14