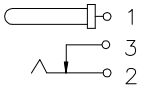
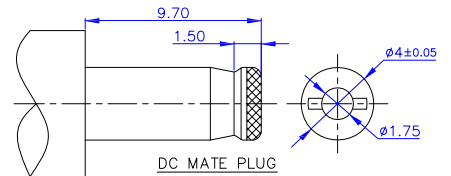


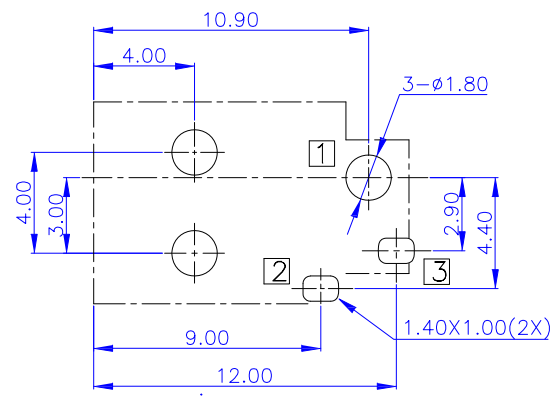
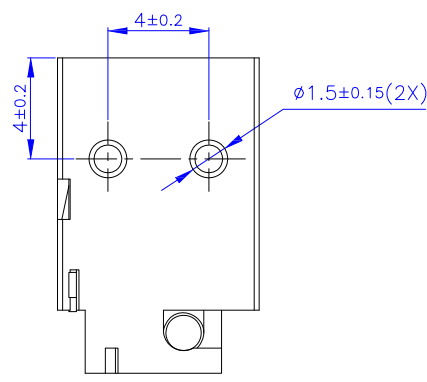
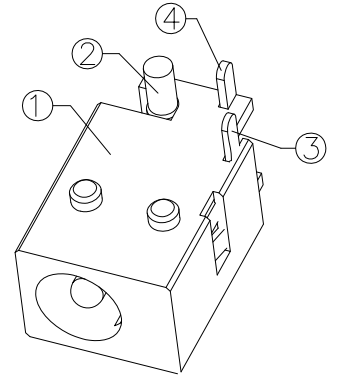
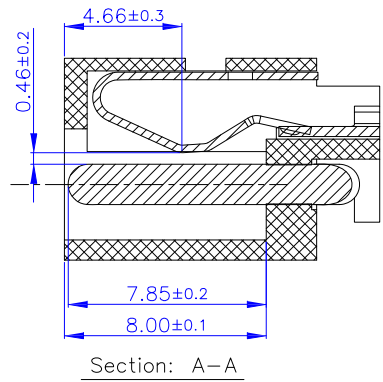
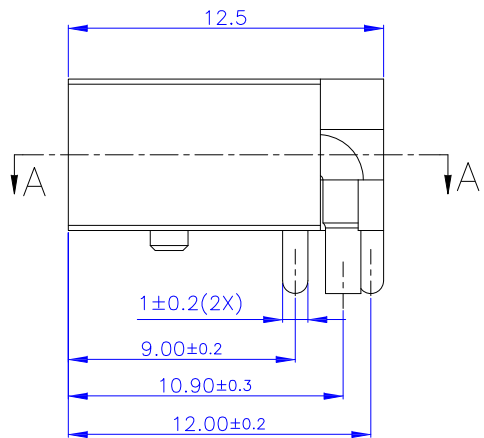
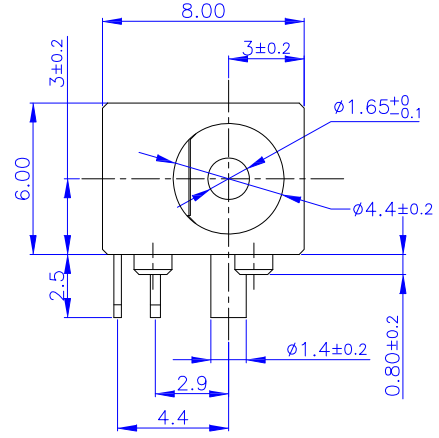
R&D發行
2017.12.04
達立

SCHEMATIC	
CENTER PIN	ø1.65mm



RoHS
Compatible

△				
△				
△				
△				
ZONE	REV	DESCRIPTION	DATE	APPD.



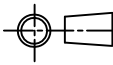
RECOMMENDED PCB LAYOUT
TOLERANCE: ±0.05mm

Specification

1. Rating : DC 20V, 3A.
2. Contact resistance : ≤ 30mΩ;
After test: ≤50mΩ.
3. Insulation resistance : ≥100MΩ (500 VDC)
After test: ≥50MΩ.
4. Withstand voltage : 500VAC.
5. Insertion and extraction force : 3N~30N.
6. life test : 5,000 cycles.
7. Operation temperature range: -20°C~70°C

4	Terminal 3	Brass,t=0.4	1	Silver Plated
3	Terminal 2	PBS,t=0.3	1	Silver Plated
2	Terminal 1	Brass	1	——
1	Housing	PBT	1	Black
No.	Part Name	Material	Q"ty	Remarks

達立科技股份有限公司
Dawning Precision Co.,Ltd.
TEL: 886-2-82271388 FAX: 886-2-82272198

DESIGN	Jeff	SCALE		
DRAWING	Jeff	UNIT	mm	
CHECK	Jeff	SIZE	A4: 210*297	
APPROVAL	Honda	VERSION	01	

TOLERANCE UNLESS OTHERWISE STATED(mm)	PART NAME	DC POWER SOCKET
0 ——— ±0.50	PART NO	DC-066-S057
0.0 ——— ±0.40	DRAWING NO	
0.00 ——— ±0.30	DATE	2017/12/04
ANGLE ——— ±2°		