

RoHS
Compatible

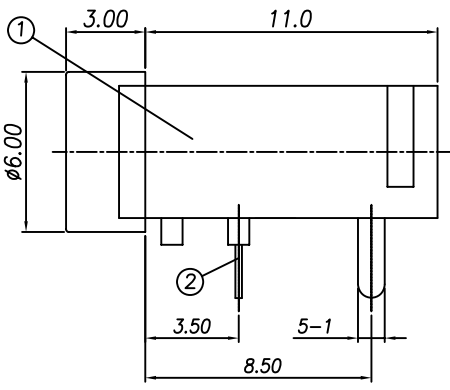
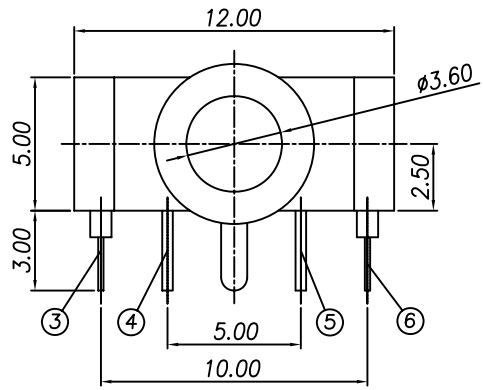
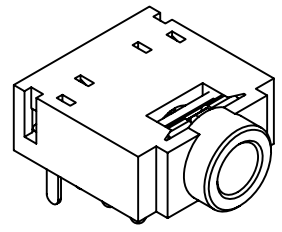
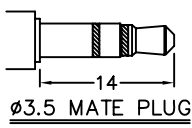
發行
2012.12.03
達立

△				
△				
△				
△				
ZONE	REV	DESCRIPTION	DATE	APPD.

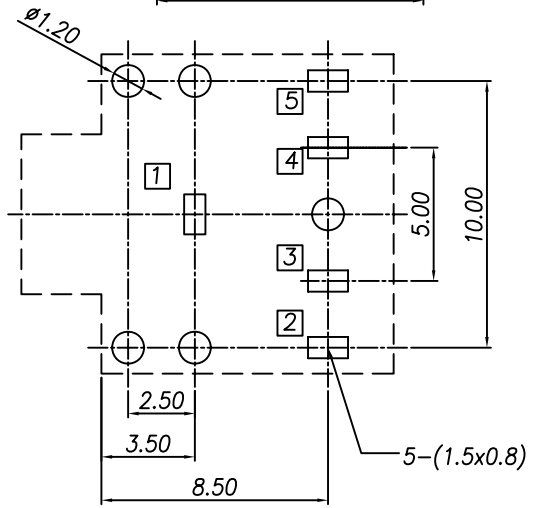
Model No.	PJ-3615	PJ-3614A	PJ-3614B	PJ-3613A	PJ-3613
Schematic					

□ : Terminal No.

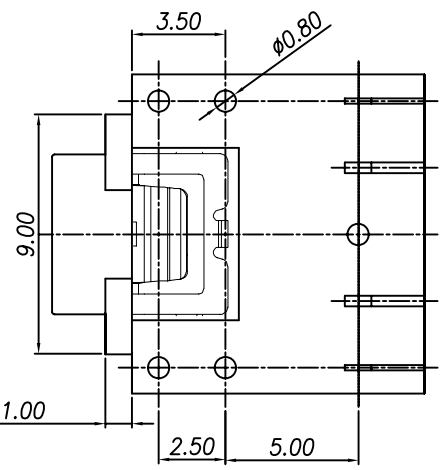
Order Information:
PJ-361-S057
Circuit Diagram



- Specification :
- 1.Rating: DC 30V 0.5A;
 - 2.Contact resistance: ≤ 50mΩ;
After test: ≤ 100mΩ;
 - 3.Insulation resistance: ≥ 100MΩ(DC250V);
After test: ≥ 50MΩ;
 - 4.Withstand voltage: 500VAC;
 - 5.Insertion and extraction force: 3-30N;
 - 6.Life test: 5000 cycles;
 - 7.Operation temperature range: -20°C~70°C;
 - 8.Preservative temperature range: -40°C~85°C



P.C.B Layout
Copper-Side View



⑥	Tip Spring	Stainless Steel 0.2t	1	Sn Plated
⑤	Shunt Terminal	Brass 0.2t	1	Sn Plated
④	Shunt Terminal	Brass 0.2t	1	Sn Plated
③	Ring Spring	Stainless Steel 0.2t	1	Sn Plated
②	Earth Terminal	Phosphor Bronze 0.25t	1	
①	Housing	PBT	1	
NO	Part Name	Material	Q'ty	Finishing

達立科技股份有限公司

Dawning Precision Co.,Ltd.
TEL: 886-2-82271388 FAX: 886-2-82272198

DESIGN	Paul	SCALE		
DRAWING	Paul	UNIT	mm	
CHECK	Will	SIZE	A4: 297*210	
APPROVAL	Eric	VERSION	01	

TOLERANCE UNLESS OTHERWISE STATED(mm)	PART NAME	PHONE JACK
less than 10 — ±0.3	PART NO	PJ-361-S057 SERIES
10~30 — ±0.4	DRAWING NO	
30~100 — ±0.5	DATE	2011/03/16
ANGIE — ±2°		