

△				
△				
△				
△				
ZONE	REV	DESCRIPTION	DATE	APPD.

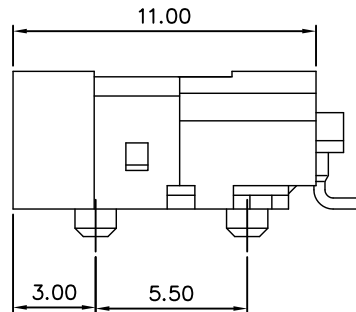
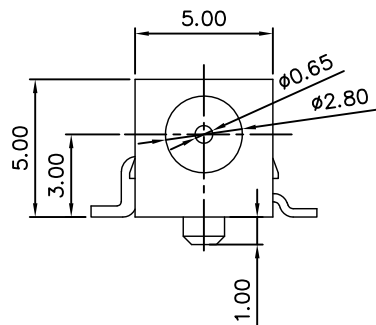
Order Information :
DC-031H-X-A-S057

Center Pin 0.65mm

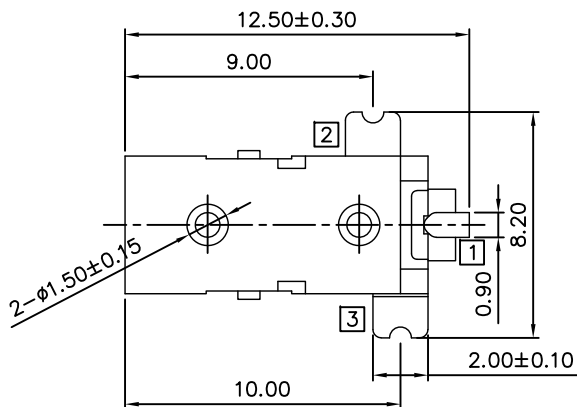
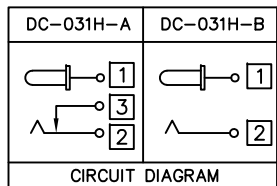
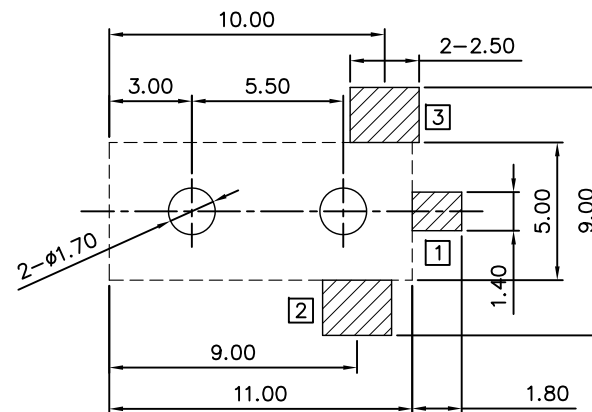
Circuit Diagram



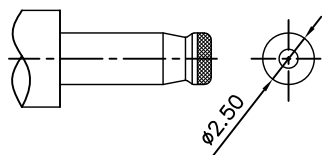
RoHS
Compatible



RECOMMENED P.C.B MOUNTING
PATTERN DIMENSION(TOP VIEW)



DC MATE PLUG



Specifications

1. Rating : DC 30V, 1A.
2. Contact resistance : 50mΩ Max.
3. Insulation resistance : 100MΩ Min.
4. Withstand voltage : 500VAC
5. Insertion and extraction force : 3-30N
6. Life test : 5000 cycles Min
7. Operating temperature : -20°C~70°C

4	Shunt Terminal	3	Brass t=0.4	1	Ag Plated
3	Tip Spring	2	SUS t=0.25	1	Ag Plated
2	Center Pin	1	Phosphor Bronze	1	Ag Plated
1	Housing		PA10T	1	Black,UL94V-0
No.	Part Name		Material	Q"ty	Finishing

達立科技股份有限公司

Dawning Precision Co.,Ltd.

TEL: 886-2-82271388 FAX: 886-2-82272198

DESIGN	Jeff	SCALE		
DRAWING	Jeff	UNIT	mm	
CHECK	Jeff	SIZE	A4: 210*297	
APPROVAL	Baker	VERSION	02	

TOLERANCE UNLESS OTHERWISE STATED(mm)		PART NAME	DC POWER SOCKET
0	±0.50	PART NO	DC-031H-X-A-S057
0.0	±0.30	DRAWING NO	
0.00	±0.20	DATE	2023.01.11
ANGLE	±2°		

www.dawning2.com.tw