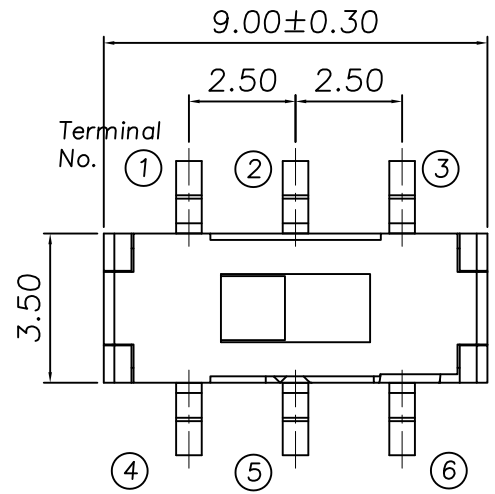


△				
△				
△				
△				
ZONE	REV	DESCRIPTION	DATE	APPD.

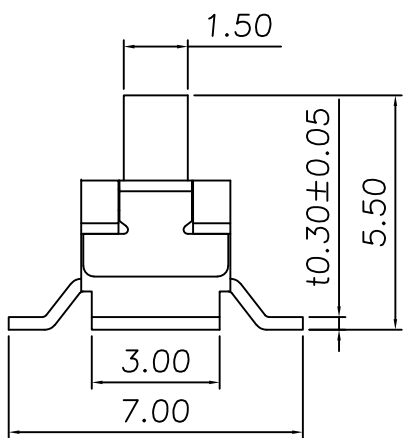
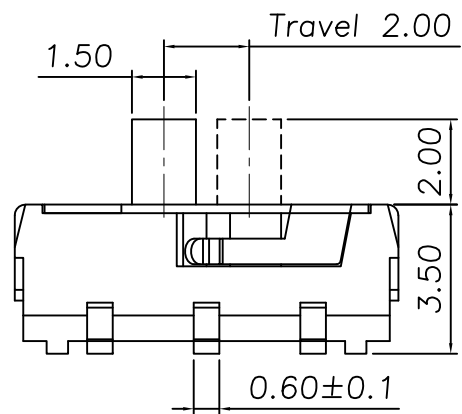
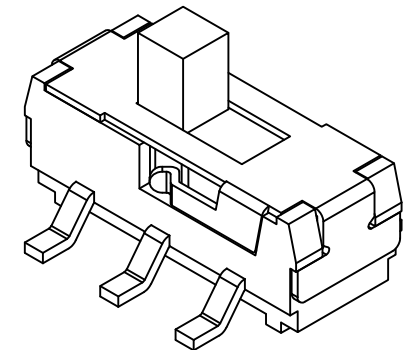
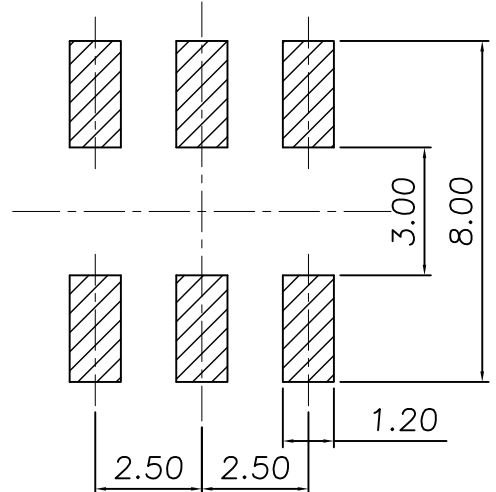
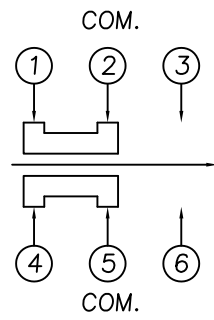
RoHS
Compatible

RD&發行
2023.09.06
達立

P.C.B Mounting
pattern Dimension



Circuit Diagram



Specification

1. Rating : DC4V 0.3A
2. Contact resistance : 100mΩ Max.
3. Insulation resistance : 100MΩ min.
4. Travel : 2.0±0.1mm
5. Operating force : 200±100gf.
6. Operating life : 10,000 cycles min.

5	Case	PA6T	1	Black
4	Contact	Phosphor Bronze	1	Ag Clad
3	Stem	PPA	1	Black
2	Terminal	Brass	6	Ag Plated
1	Cover	SUS	1	
NO	Part Name	Material	Q"ty	Finishing

達立科技股份有限公司
Dawning Precision Co., Ltd.
TEL: 886-2-82271388 FAX: 886-2-82272198

DESIGN	Jeff	SCALE	
DRAWING	Jeff	UNIT	mm
CHECK	Jeff	SIZE	A4: 210*297
APPROVAL	Baker	VERSION	03

TOLERANCE UNLESS OTHERWISE STATED(mm)		PART NAME	SLIDE SWITCH
0	±0.40	PART NO	SS-D35S-S085
0.0	±0.30	DRAWING NO	
0.00	±0.20	DATE	2023/09/06
ANGLE	±2'		

www.dawning2.com.tw