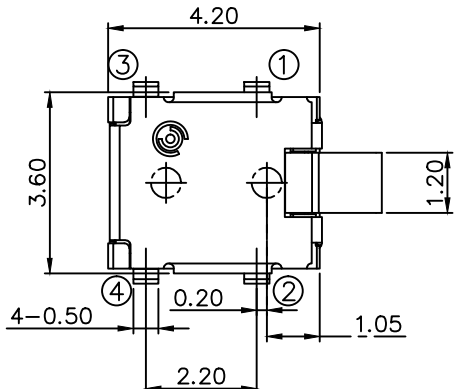


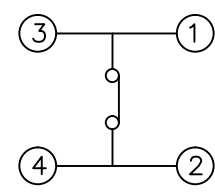
△				
△				
△				
△				
ZONE	REV	DESCRIPTION	DATE	APPD.

RoHS
Compatible

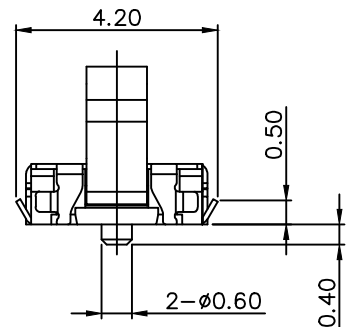
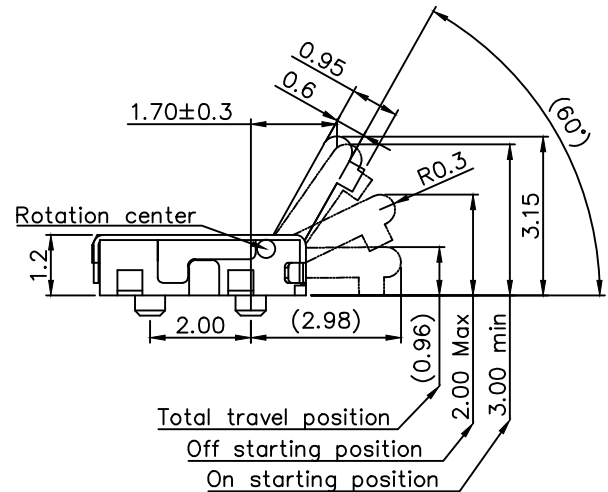
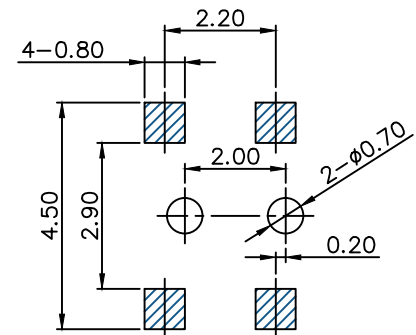
R&D發行
2022.07.13
達立



CIRCUIT DIAGRAM



RECOMMENDED P.C.B MOUNTING PATTERN DIMENSION



SPECIFICATION

1. Rating : 100μA 3V DC to 1mA 5V DC
2. Contact resistance : 3Ω Max.
3. Insulation resistance : DC 100V-100MΩ Min.
4. Withstanding voltage : AC 100V-1 minute
5. Operating force : 35gf Max.
6. Operating life : 50,000 cycles

7	Spring	SUS	1	—
6	Knob	PA10T	1	Black
5	Knob(outside)	PA10T	1	Black
4	Cover	Stainless steel	1	—
3	Contact	Copper alloy	1	Ag Plated 10u"
2	Terminal	Phosphor Bronze	1	Ag Plated 10u"
1	Base	PA10T	1	Black
No.	Part Name	Material	Q'ty	Finishing

達立科技股份有限公司
Dawning Precision Co., Ltd.
TEL: 886-2-82271388 FAX: 886-2-82272198

DESIGN	Baker	SCALE	
DRAWING	Chung	UNIT	mm
CHECK	Horace	SIZE	A4: 210*297
APPROVAL	Eric	VERSION	06

TOLERANCE UNLESS OTHERWISE STATED(mm)	PART NAME	DETECTOR SWITCH
0 ±0.30	PART NO	DS-A34F-MRV1
0.0 ±0.25	DRAWING NO	
0.00 ±0.20	DATE	2022.07.13
ANGLE ±5°		