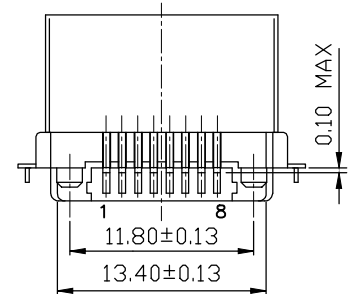
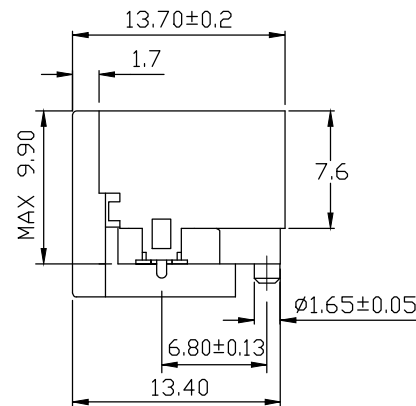
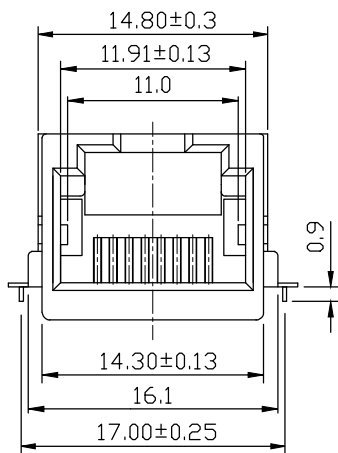


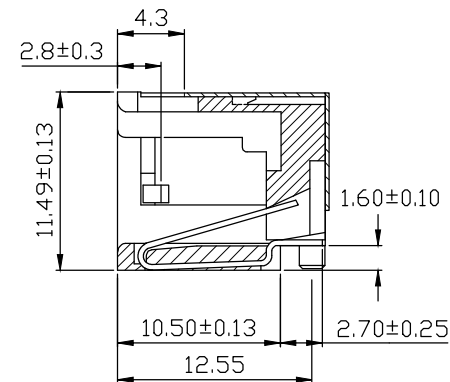
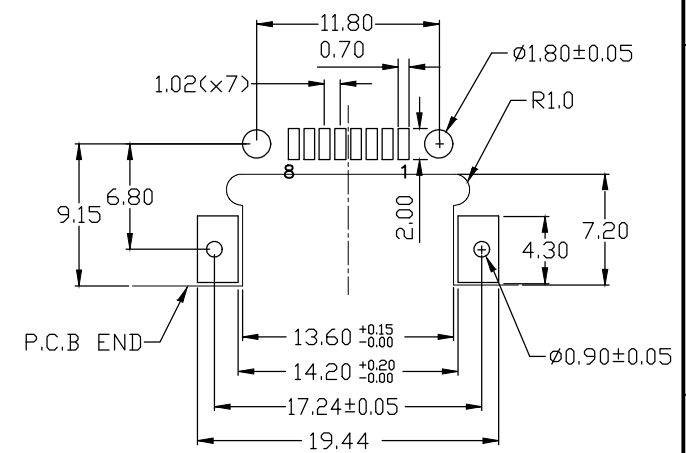
▲				
▲				
▲				
▲				
ZONE	REV	DESCRIPTION	DATE	APPD.

R&D
2020.02.26
達立

RoHS
Compatible



RECOMMENED P.C.B MOUNTING
PATTERN DIMENSION



Order information :
45008-5 K 4 A 2-SXXX
1 2 3 4

- Housing material
5 = PA46
- Housing color
K = Black
- Shell material
4 = Copper alloy/Ni Plated
- Contact plating
A = Gold flash on contact area

3	Shield	Copper alloy	1	Ni Plated
2	Contact	Copper alloy	1	Gold flash on contact area.
1	Housing	PA46	1	Black
No.	Part Name	Material	Q"ty	Finishing

達立科技股份有限公司
Dawning Precision Co., Ltd.
TEL: 886-2-82271388 FAX: 886-2-82272198

DESIGN	Eason	SCALE		
DRAWING	Eason	UNIT	mm	
CHECK	Eason	SIZE	A4: 210*297	
APPROVAL	Honda	VERSION	01	

TOLERANCE UNLESS OTHERWISE STATED(mm)	PART NAME	RJ 45 JACK
0 _____ ±0.30	PART NO	45008-5K4A2-S187
0.0 _____ ±0.25	DRAWING NO	
0.00 _____ ±0.15	DATE	2020/02/26
ANGLE _____ ±2'		