

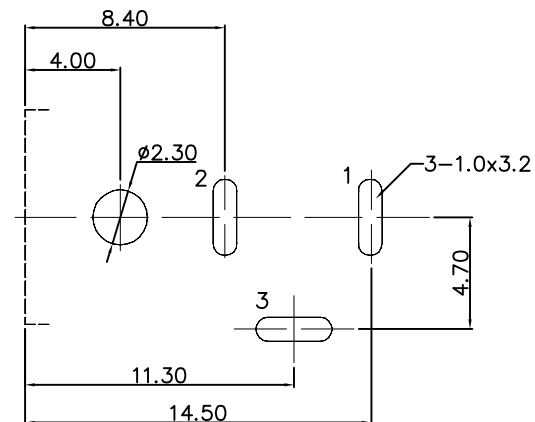
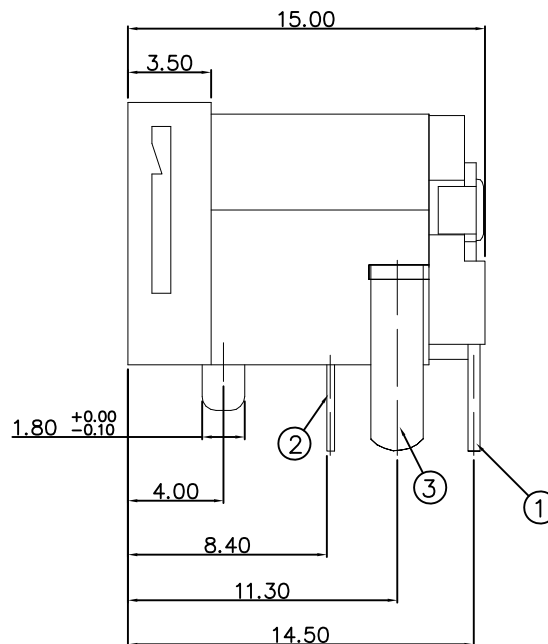
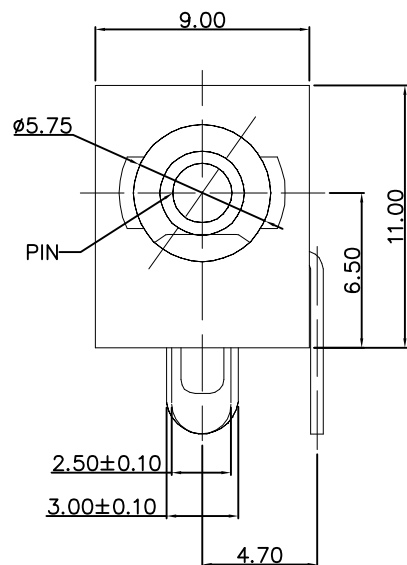
△				
△				
△				
△				
ZONE	REV	DESCRIPTION	DATE	APPD.

Order Information:
DC-062-x-S222

Center Pin:
See info.

R&D發行
2021.12.28
達立

RoHS
Compatible



RECOMMENDED PCB LAYOUT
TOLERANCE: ±0.05mm(TOP VIEW)

Specification

1. Rating : DC 24V, 3A
2. Contact resistance : $\leq 30\text{m}\Omega$;
3. Insulation resistance : $\geq 100\text{M}\Omega$ Min. (500 VDC)
4. Withstand voltage : 500VAC.
5. Insertion and extraction force : 2.94N~29.4N.
6. life test : 5,000 cycles min.
7. Operation temperature range : -25°C~70°C

Schematic		1
		3
Center Pin		2
Center Pin		P/N
	Ø2.00mm	F
	Ø2.50mm	H

6	Terminal	1	Copper Alloy	1	Sn Plated
5	Shunt Terminal	3	Copper Alloy	1	Sn Plated
4	Tip Terminal	2	Copper Alloy	1	Sn Plated
3	Center Pin		Brass	1	Ni Plated
2	Cover		PBT	1	UL94V-0/Black
1	Housing		PBT	1	UL94V-0/Black
No.	Part Name		Material	Q'ty	Remarks

C025

達立科技股份有限公司
Dawning Precision Co., Ltd.
TEL: 886-2-82271388 FAX: 886-2-82272198

DESIGN	Horace	SCALE		
DRAWING	Horace	UNIT	mm	
CHECK	Horace	SIZE	A4: 210*297	
APPROVAL	Baker	VERSION	01	

TOLERANCE UNLESS OTHERWISE STATED(mm)	PART NAME	DC POWER JACK
0 _____ ±0.50	PART NO	DC-062-x-S222
0.0 _____ ±0.30	DRAWING NO	
0.00 _____ ±0.20	DATE	2021.12.28
ANGLE _____ ±2°		