

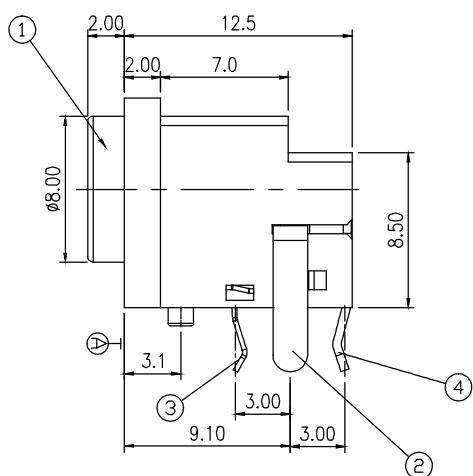
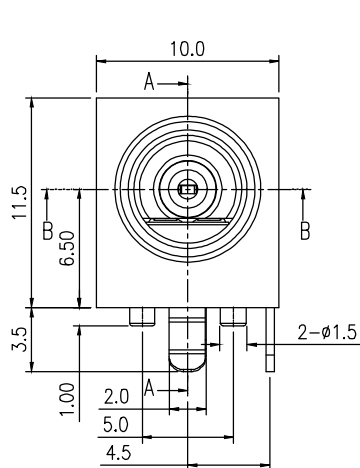
△				
△				
△				
△				
ZONE	REV	DESCRIPTION	DATE	APPD.

Order Information:
DC-058-S135

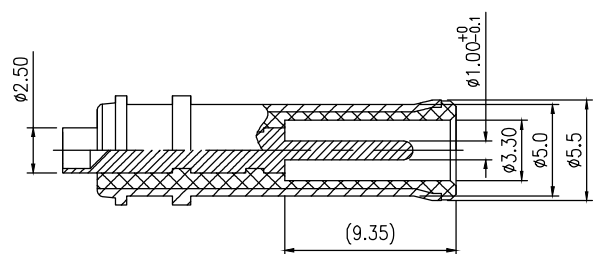
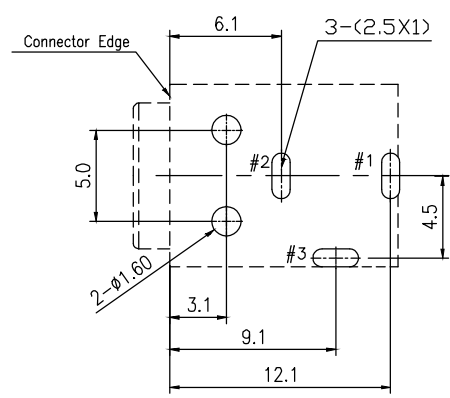
SERIES

R&D發行
2022.11.15
達立

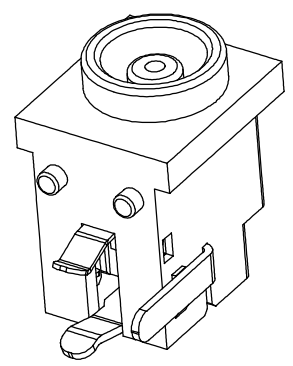
RoHS
Compatible



RECOMMENDED P.C.B MOUNTING
PATTERN DIMENSION

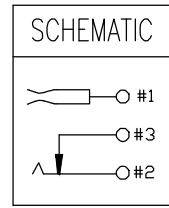


DC-MATEING PLUG<REF>



SPECIFICATIONS :

1. Rating : DC 24V, 3A.
2. Contact resistance : 50mΩ Max.
3. Insulation resistance : 100MΩ Min.
4. Withstand voltage : 500V AC.
5. Insertion&withdrawal force : 0.3~3.0 Kg
6. Life : 5000 Cycles Min.



4	Housing	PBT	1	Black
3	Terminal 3	Brass t0.45	1	Sn Plated
2	Terminal 2	PBS t0.25	1	Sn Plated
1	Terminal 1	Brass t0.45	1	Sn Plated
No.	Part Name	Material	Q'ty	Finishing

達立科技股份有限公司
Dawning Precision Co.,Ltd.
TEL: 886-2-82271388 FAX: 886-2-82272198

DESIGN	Charles	SCALE	
DRAWING	Charles	UNIT	mm
CHECK	Charles	SIZE	A4: 210*297
APPROVAL	Baker	VERSION	02

TOLERANCE UNLESS OTHERWISE STATED(mm)	PART NAME	DC POWER SOCKET
0 _____ ±0.50	PART NO	DC-058-S135
0.0 _____ ±0.30	DRAWING NO	
0.00 _____ ±0.20	DATE	2022/11/15
ANGLE _____ ±2°		

www.dawning2.com.tw