

△				
△				
△				
△				
ZONE	REV	DESCRIPTION	DATE	APPD.

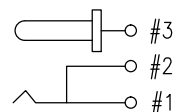
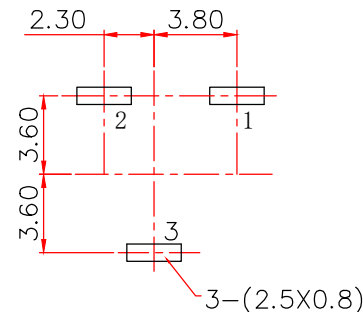
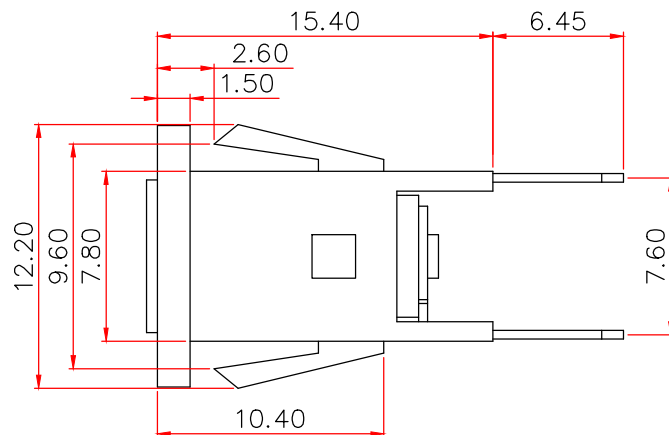
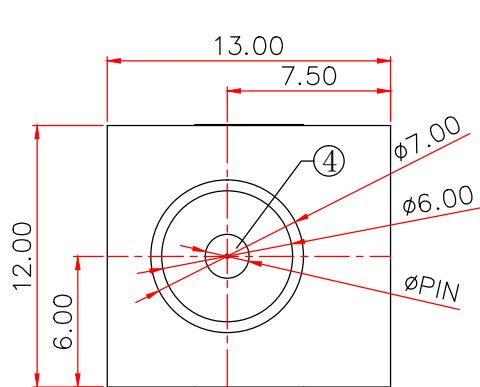
ORDER INFORMATION :

DC-012-x-S242

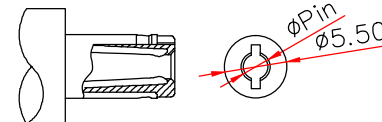
Center Pin : E = $\phi 1.65$
 F = $\phi 2.00$
 G = $\phi 2.35$
 H = $\phi 2.50$

RECOMMENDED PCB LAYOUT

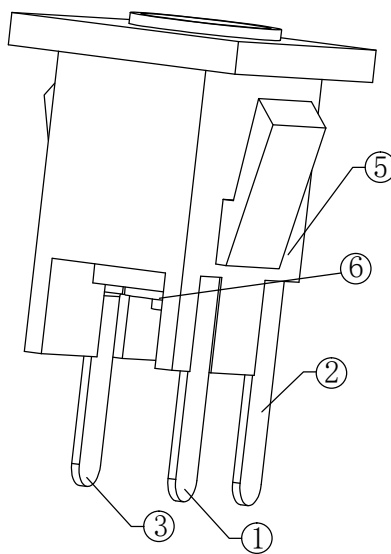
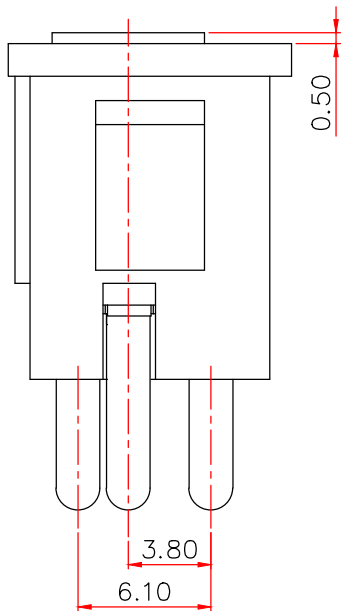
TOLERANCE: $\pm 0.05\text{mm}$



SCHMATIC



MATING PLUG



Specification

1. Rating : DC 30V, 3A.
2. Contact resistance : $\leq 50\text{m}\Omega$;
3. Insulation resistance : $\geq 100\text{M}\Omega$ (500 V)
4. Withstand voltage : 500VAC.
5. Insertion and extraction force : 3N~30N.
6. life test : 5,000 cycles min.

6	Cover	PBT	1	Yellow
5	Housing	PBT	1	Black
4	Center Pin	Brass	1	Sn Plated
3	Terminal ③	Brass t0.3	1	Ag Plated
2	Terminal ②	Brass t0.3	1	Ag Plated
1	Terminal ①	Phosphor Bronze t0.25	1	Ag Plated
No.	Part Name	Material	Q'ty	Remarks

達立科技股份有限公司

Dawning Precision Co., Ltd.

TEL: 886-2-82271388 FAX: 886-2-82272198

DESIGN	Charles	SCALE	
DRAWING	Charles	UNIT	mm
CHECK	Charles	SIZE	A4: 210*297
APPROVAL	Baker	VERSION	02

TOLERANCE UNLESS OTHERWISE STATED(mm)	PART NAME	DC POWER JACK
0 ——— ± 0.50	PART NO	DC-012-x-S242
0.0 ——— ± 0.40	DRAWING NO	
0.00 ——— ± 0.30	DATE	2023/08/15
ANGLE ——— $\pm 2^\circ$		