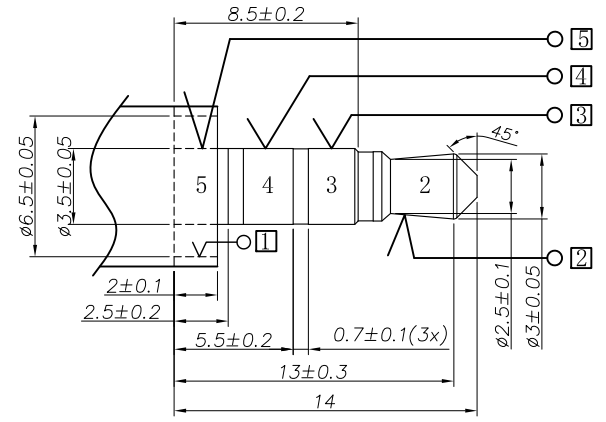
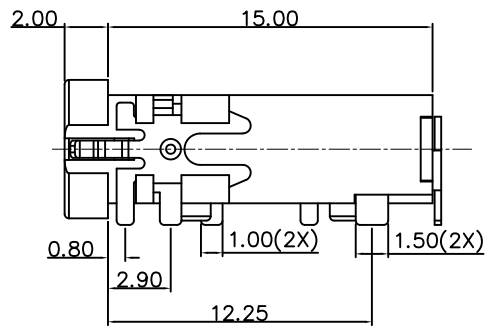
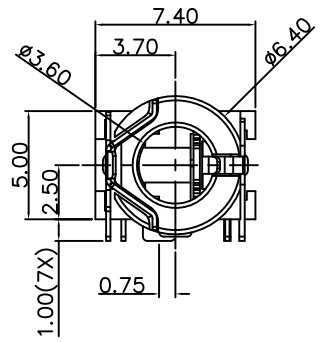
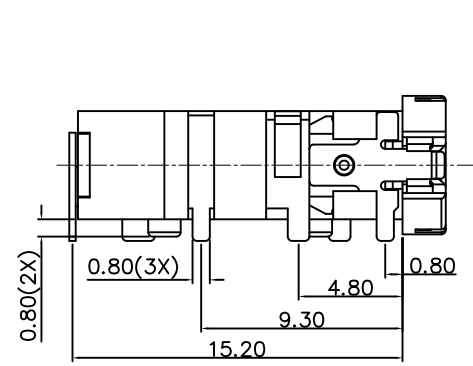
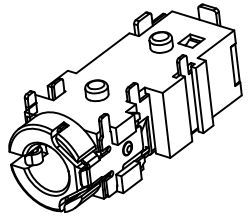


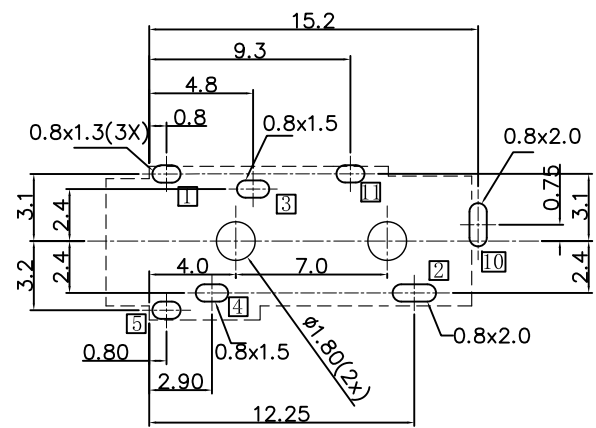
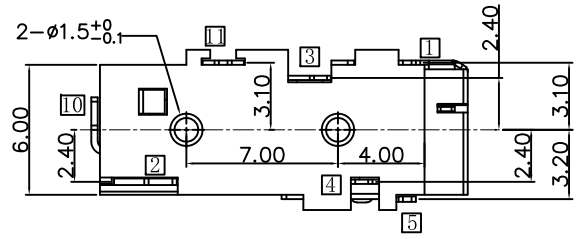
▲				
▲				
▲				
▲				
ZONE	REV	DESCRIPTION	DATE	APPD.

RD&發行
2022.09.23
達立

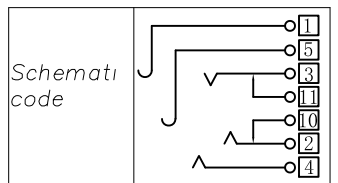
RoHS
Compatible



Matching Plug



RECOMMENDED PCB LAYOUT
TOLERANCE: ±0.05mm(TOP VIEW)



Specification

- Rating : DC 30V, 0.5A.
- Contact resistance : $\leq 50\text{m}\Omega$;
After test: $\leq 100\text{m}\Omega$.
- Insulation resistance : $\geq 100\text{M}\Omega$ (500 VDC)
After test: $\geq 50\text{M}\Omega$.
- Withstand voltage : 500VAC.
- Insertion and extraction force : 3N~30N.
- life test : 5,000 cycles min.
- Operation temperature range: $-20^{\circ}\text{C}\sim 70^{\circ}\text{C}$
- Preservative temperature range: $-40^{\circ}\text{C}\sim 85^{\circ}\text{C}$

9	Earth terminal	1	Phosper Bronzes t=0.20	1	Ag Plated
8	Shunt terminal	11	Brass t=0.20	1	Ag Plated
7	Shunt terminal	10	Brass t=0.30	1	Ag Plated
6	Ring spring	4	Phosper Bronzes t=0.20	1	Ag Plated
5	Ring spring	3	Phosper Bronzes t=0.20	1	Ag Plated
4	Tip spring	2	Phosper Bronzes t=0.30	1	Ag Plated
3	Earth terminal	5	Phosper Bronzes t=0.25	1	Au Plated
2	Cover		PA10T	1	Black
1	Housing		PA10T	1	Black
No.	Part Name		Material	Q'ty	Remark

達立科技股份有限公司
Dawning Precision Co.,Ltd.
TEL: 886-2-82271388 FAX: 886-2-82272198

DESIGN	Jeff	SCALE	
DRAWING	Jeff	UNIT	mm
CHECK	Jeff	SIZE	A4: 210*297
APPROVAL	Baker	VERSION	01

TOLERANCE UNLESS OTHERWISE STATED(mm)	
0	±0.50
0.0	±0.40
0.00	±0.30
ANGLE	±2°

PART NAME	PHONE JACK
PART NO	PJ-3827-S057
DRAWING NO	
DATE	2022/09/23