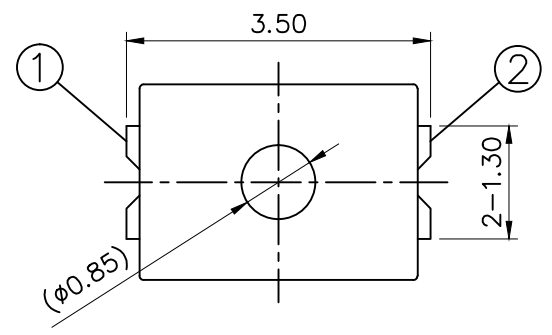


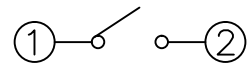
▲				
▲				
▲				
▲				
ZONE	REV	DESCRIPTION	DATE	APPD.

R&D  
2019.12.23  
達立

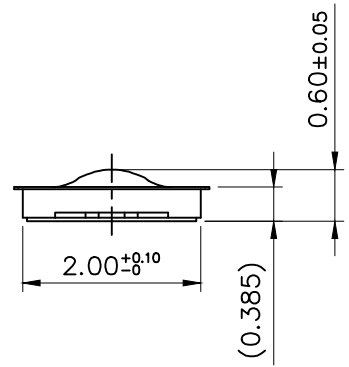
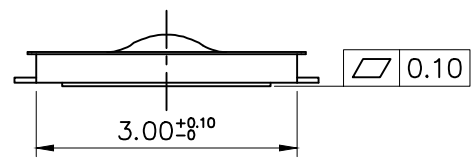
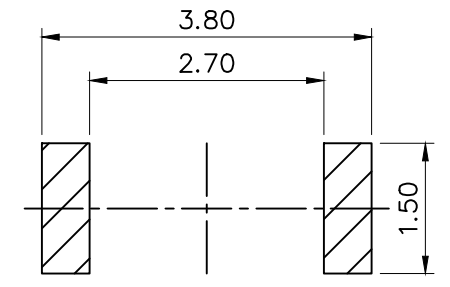
**RoHS**  
**Compatible**



CIRCUIT DIAGRAM



RECOMMENED P.C.B MOUNTING  
PATTERN DIMENSION



Specifications

1. Rating : DC 15V, 20mA.
2. Travel : 0.13±0.05mm
3. Contact resistance : 500mΩ Max.
4. Insulation resistance : 50MΩ Min.
5. Operating force : 240±70gf
6. Operating life : 500,000 cycles Min.
7. General tolerance : ±0.05mm

5	Actuator	UV Resing	1	Black
4	Cover	Polyimide	1	—
3	Contact	Stainless steel	1	Ag Clad.
2	Terminal	Phosphor Bronze	1	Ag Plated.
1	Case	PA9T	1	Black
No.	Part Name	Material	Q'ty	Finishing

**達立科技股份有限公司**  
**Dawning Precision Co., Ltd.**  
TEL: 886-2-82271388 FAX: 886-2-82272198

DESIGN	Eason	SCALE		
DRAWING	Eason	UNIT	mm	
CHECK	Eason	SIZE	A4: 210*297	
APPROVAL	Honda	VERSION	05	

TOLERANCE UNLESS OTHERWISE STATED(mm)	PART NAME	TACT SWITCH
0 — ±0.20	PART NO	TST71A-N-240-S017
0.0 — ±0.10	DRAWING NO	
0.00 — ±0.05	DATE	2019/12/23
ANGLE — ±2'		

www.dawning2.com.tw