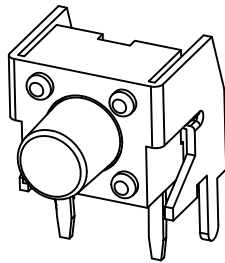
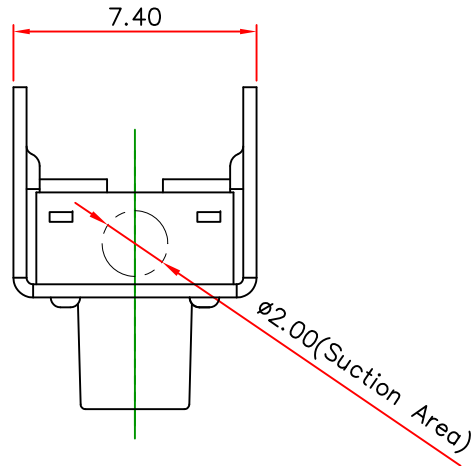


△				
△				
△				
△				
ZONE	REV	DESCRIPTION	DATE	APPD.

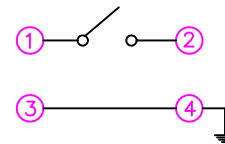
ORDER INFORMATION :
 TS-A02NPB-2
 Force : 160gf
 Stem Length : 5.85mm

R&D發行
 2021.04.06
 達立

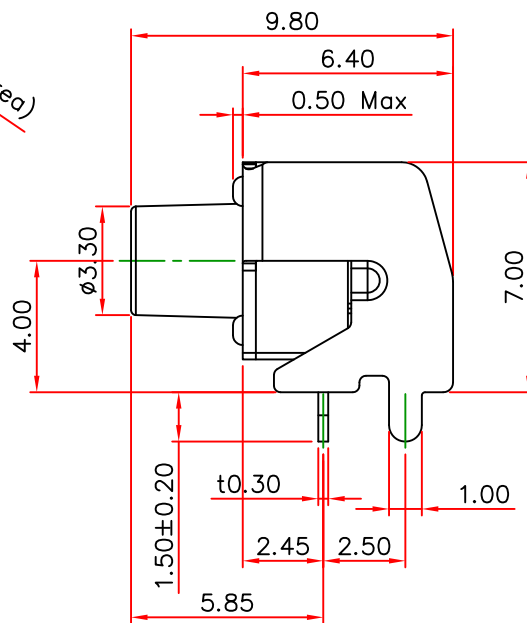
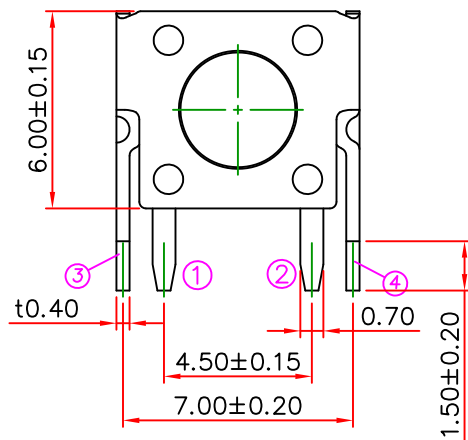
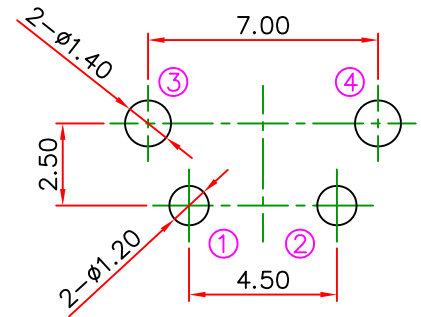
RoHS
Compatible



CIRCUIT DIAGRAM



RECOMMENED P.C.B MOUNTING
 PATTERN DIMENSION(TOLERANCE: ± 0.05 mm)
 RECOMMENED P.C.B Board thickness 1.20mm



Specifications

1. Rating : DC 12V, 50mA.
2. Travel : 0.25 ± 0.10 mm
3. Contact resistance : 100m Ω Max.
4. Insulation resistance : 100M Ω Min.
5. Operating force : 160 ± 50 gf
6. Operating life : 100,000 cycles

5	Terminal	Phosphor Bronze	1	Ag Plated 0.20 μ m
4	Base	PPA	1	Black
3	Contact	SUS	1	Ag Clad 0.10 μ m
2	Stem	PPA	1	Black
1	Cover	Steel	1	Ni under plated 0.8 μ m and Bright Sn plated 2.5 μ m. over all.
No.	Part Name	Material	Q'ty	Finishing

達立科技股份有限公司

Dawning Precision Co.,Ltd.
 TEL: 886-2-82271388 FAX: 886-2-82272198

DESIGN	Jeff	SCALE			TOLERANCE UNLESS OTHERWISE STATED(mm) 0 _____ ± 0.50 0.0 _____ ± 0.30 0.00 _____ ± 0.20 ANGLE _____ $\pm 2^\circ$
DRAWING	Jeff	UNIT	mm		
CHECK	Jeff	SIZE	A4: 210*297		
APPROVAL	Honda	VERSION	B		

PART NAME	TACT SWITCH
PART NO	TS-A02NPB-2
DRAWING NO	C-TS-A02NPB-101
DATE	2021/04/06

www.dawning2.com.tw