

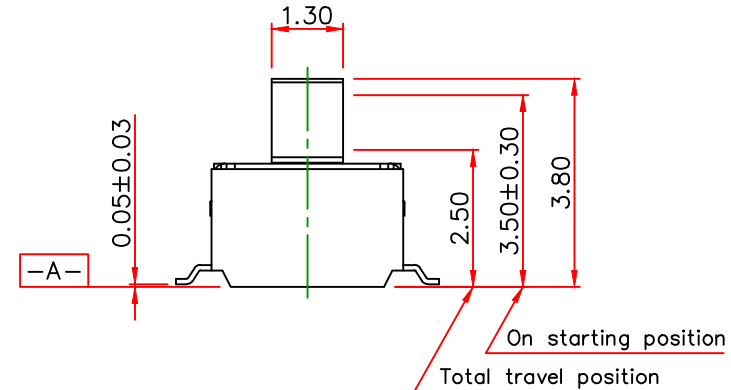
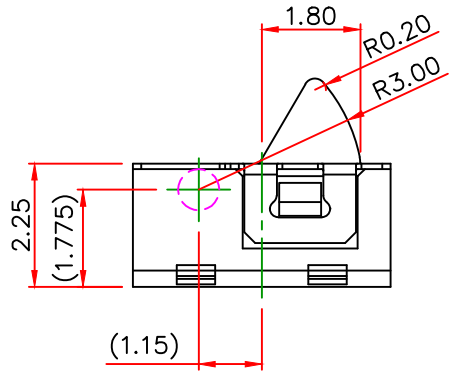
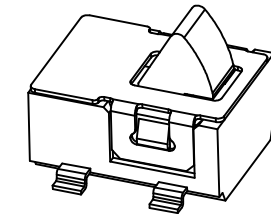
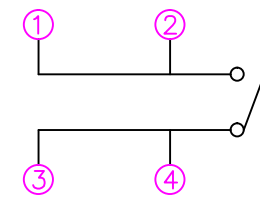
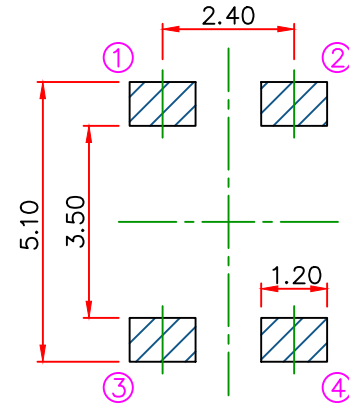
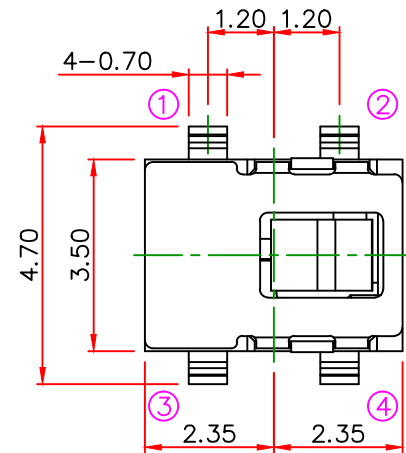
|      |     |                 |            |       |
|------|-----|-----------------|------------|-------|
| △    |     |                 |            |       |
| △    |     |                 |            |       |
| △    |     |                 |            |       |
| △    | A   | Initial Release | 2017.07.04 | Eason |
| ZONE | REV | DESCRIPTION     | DATE       | APPD. |

R&D發行  
2017.07.04  
達立

**RoHS**  
**Compatible**

RECOMMENED P.C.B MOUNTING  
PATTERN DIMENSION

CIRCUIT DIAGRAM



SPECIFICATION

1. Rating : DC 5V, 1mA
2. Contact resistance : 1Ω Max.
3. Insulation resistance : DC 100V-100MΩ Min.
4. Withstanding voltage : AC 100V-1 minute
5. Operating force : 36gf Max.
6. Operating life : 100,000 cycles

|     |           |                 |      |                        |
|-----|-----------|-----------------|------|------------------------|
| 5   | Knob      | PA10T           | 1    | Black                  |
| 4   | Cover     | SUS             | 1    | —                      |
| 3   | Spring    | Phosphor Bronze | 1    | Au Plated (Gold flash) |
| 2   | Terminal  | Phosphor Bronze | 1    | Au Plated (Gold flash) |
| 1   | Frame     | PA10T           | 1    | Black                  |
| No. | Part Name | Material        | Q'ty | Finishing              |

達立科技股份有限公司  
Dawning Precision Co., Ltd.  
TEL: 886-2-82271388 FAX: 886-2-82272198

|          |       |         |             |
|----------|-------|---------|-------------|
| DESIGN   | Eason | SCALE   |             |
| DRAWING  | Eason | UNIT    | mm          |
| CHECK    | Eason | SIZE    | A4: 210*297 |
| APPROVAL | Honda | VERSION | A           |

|                                       |            |                 |
|---------------------------------------|------------|-----------------|
| TOLERANCE UNLESS OTHERWISE STATED(mm) | PART NAME  | DETECTOR SWITCH |
| 0 ±0.30                               | PART NO    | DS-A40-AU       |
| 0.0 ±0.25                             | DRAWING NO | C-DS-A40-102    |
| 0.0 ±0.20                             | DATE       | 2017/07/04      |
| ANGLE ±1°                             |            |                 |