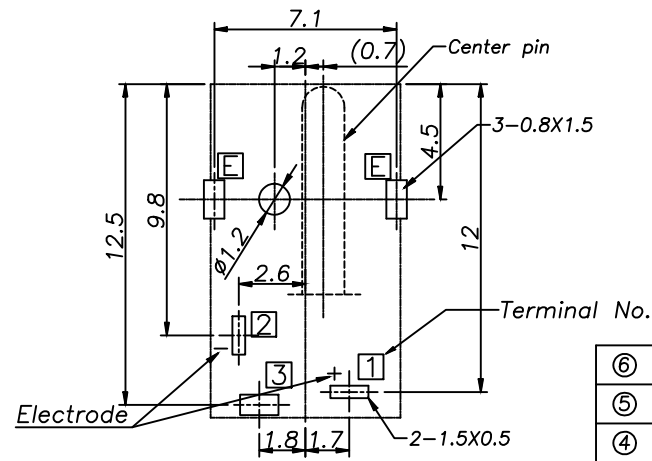
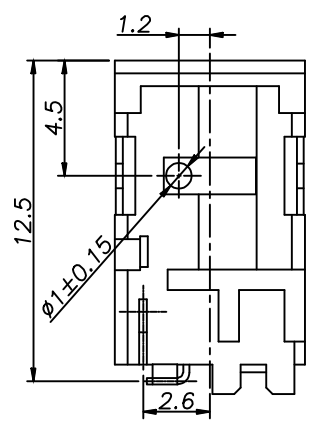
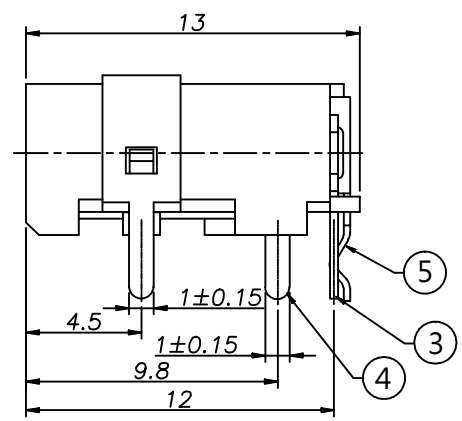
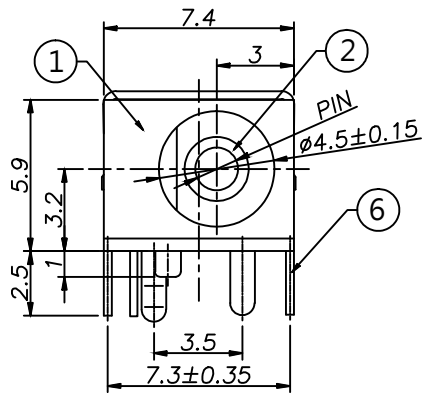


▲				
▲				
▲				
▲				
ZONE	REV	DESCRIPTION	DATE	APPD.

達立  
2015.05.11  
發行

**RoHS**  
**Compatible**



(Copper-sided view)

Model No.	DC-035S-A
Schematic	

Model No.	DC-035S-x-1.65
PIN	∅1.65

Specifications

1. Rating :DC 20V 3.0A Max.
2. Operating Force :3-30N Min.
3. Contact resistance: ≤30mΩ Max.
4. Insulation resistance : ≥100MΩ Min.
5. Life Cycles : 5,000 Cycles

⑥	Shield plate	☐	Brass	1	Sn Plated
⑤	Shunt terminal	☑	Brass	1	Sn Plated
④	Tip spring	☒	Phosphor Bronze	1	Sn Plated
③	Center pin terminal	☐	Brass	1	Sn Plated
②	Center pin	☐	PBT	1	Ni Plated
①	Housing		PBT	1	
No.	Part Name		Material	Q'ty	Finishing

**達立科技股份有限公司**  
**Dawning Precision Co., Ltd.**  
TEL: 886-2-82271388 FAX: 886-2-82272198

DESIGN	Ross	SCALE	
DRAWING	Ross	UNIT	mm
CHECK	Elsa	SIZE	A4: 210*297
APPROVAL	Eric	VERSION	01

TOLERANCE UNLESS OTHERWISE STATED(mm) less than 10 — ±0.2 10~30 — ±0.3 30~100 — ±0.5 ANGLE — ±2°	PART NAME	DC POWER SOCKET
	PART NO	DC-035S-A-1.65-PB-S057
	DRAWING NO	
	DATE	2015/05/11