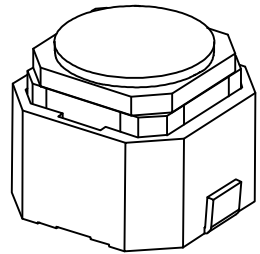
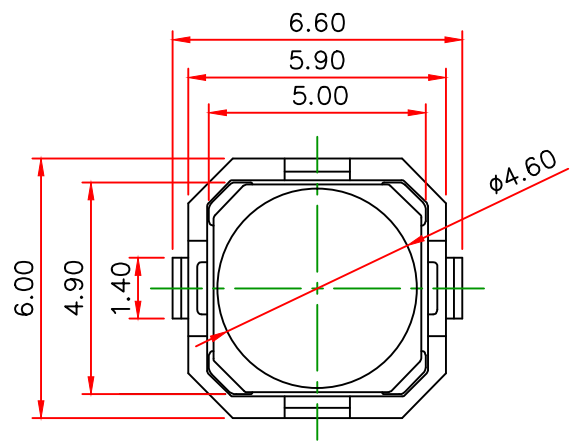


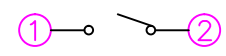
△				
△				
△				
△				
ZONE	REV	DESCRIPTION	DATE	APPD.

R&D發行
2019.06.20
達立

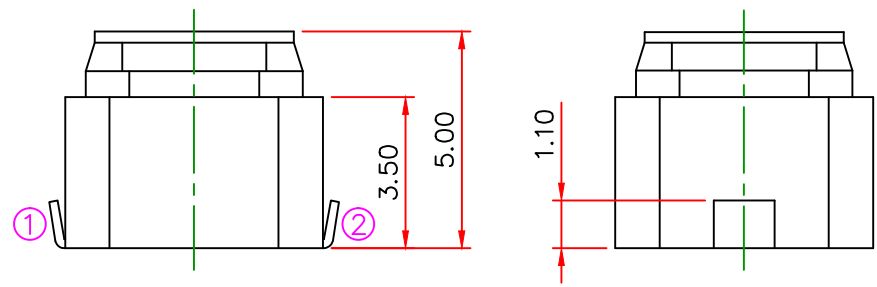
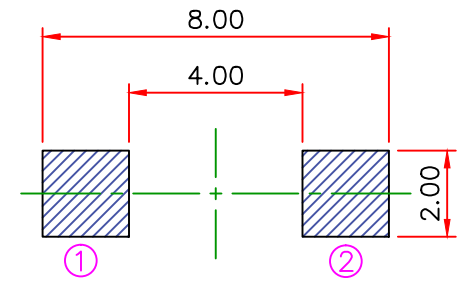
RoHS
Compatible



CIRCUIT DIAGRAM



RECOMMENED P.C.B MOUNTING PATTERN DIMENSION



Specifications

1. Rating : DC 12V, 50mA.
2. Travel : 1.30+0.20/-0.30mm
3. Contact resistance : 100mΩ Max.
4. Insulation resistance : 100MΩ Min.
5. Operating force : 250±50gf
6. Operating life : 100,000 cycles

5	Rubber	Silicone	1	——
4	Terminal	Brass	1	Ag Plated
3	Contact	SUS	1	Ag Clad
2	Stem	LCP	1	Black
1	Case	LCP	1	Black
No.	Part Name	Material	Q'ty	Finishing

達立科技股份有限公司
Dawning Precision Co., Ltd.
TEL: 886-2-82271388 FAX: 886-2-82272198

DESIGN	Jeff	SCALE		
DRAWING	Jeff	UNIT	mm	
CHECK	Jeff	SIZE	A4: 210*297	
APPROVAL	Honda	VERSION	01	

TOLERANCE UNLESS OTHERWISE STATED(mm)	PART NAME	TACT SWITCH
0 ——— ±0.40	PART NO	TS-A32U50A-250-S085
0.0 ——— ±0.30	DRAWING NO	
0.00 ——— ±0.20	DATE	2019/06/20
ANGLE ——— ±2'		