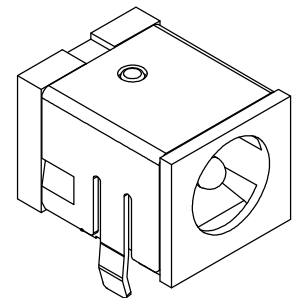


△				
△				
△				
△				
ZONE	REV	DESCRIPTION	DATE	APPD.

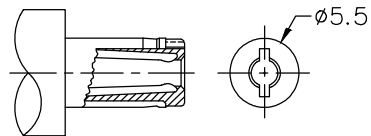
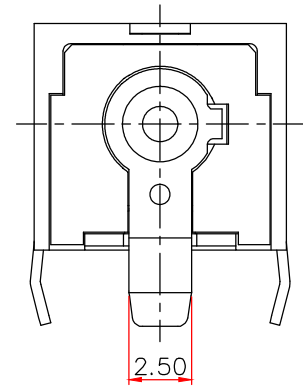
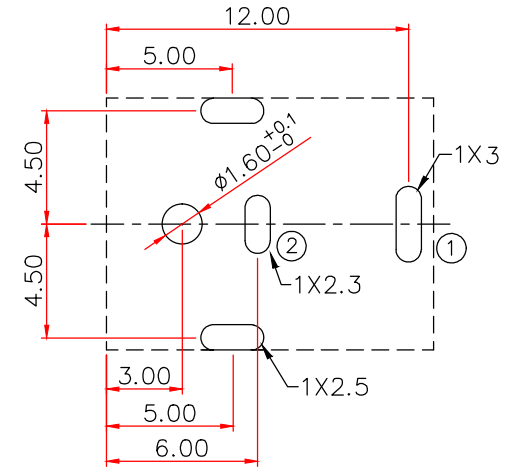
DC-078HS-x-S011
Center pin F=φ2.00
H=φ2.50

R&D發行
2022.11.11
達立

RoHS
Compatible



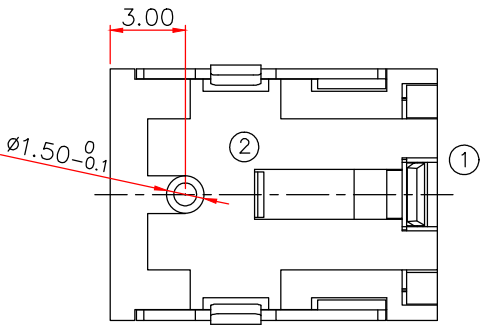
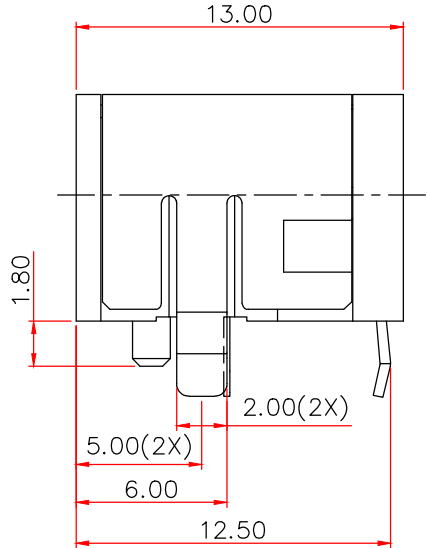
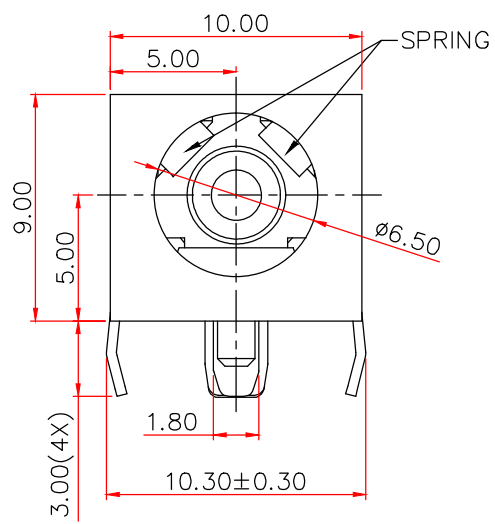
RECOMMENDED P.C.B MOUNTING
PATTERN DIMENSION



DC MATE PLUG

- SPECIFICATIONS :
1. Rating : DC 16V, 8A.
 2. Contact resistance : 50mΩ Max.
 3. Insulation resistance : 100MΩ Min.
 4. Withstand voltage : 500V AC.
 5. Insertion and Withdrawal force : 3~30N
 6. Life : 5,000 Cycles Min.
 7. Operation temperature: -25°C~85°C

6	Shield	Brass	1	Ni Plated
6	Spring	Copper Alloy	1	Ag Plated
5	Terminal 2	Copper Alloy	1	Ag Plated
4	Terminal 1	Brass	1	Ag Plated
3	Center Pin	Copper Alloy	1	Ni Plated
2	Cover	PBT	1	
1	Housing	PBT	1	
No.	Part Name	Material	Q'ty	Finishing



MODEL NO.	DC-078HS
SCHEMATIC	
CENTER PIN	φ2mm
	φ2.5mm

達立科技股份有限公司
Dawning Precision Co.,Ltd.
TEL: 886-2-82271388 FAX: 886-2-82272198

DESIGN	Charles	SCALE	
DRAWING	Charles	UNIT	mm
CHECK	Charles	SIZE	A4: 210*297
APPROVAL	Baker	VERSION	01

TOLERANCE UNLESS OTHERWISE STATED(mm)	PART NAME	DC POWER SOCKET
0 _____ ±0.50	PART NO	DC-078HS-X-S011
0.0 _____ ±0.40	DRAWING NO	
0.00 _____ ±0.30	DATE	2022/11/11
ANGLE _____ ±2°		

www.dawning2.com.tw