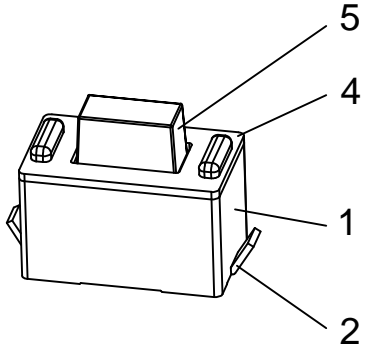
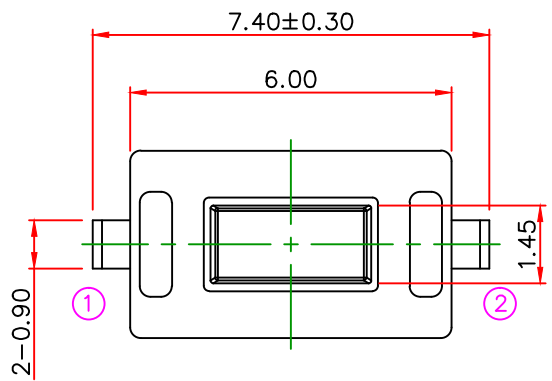


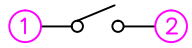
▲				
▲				
▲				
▲				
ZONE	REV	DESCRIPTION	DATE	APPD.

R&D
2018.12.27
達立

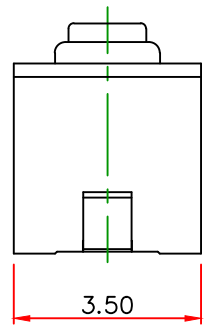
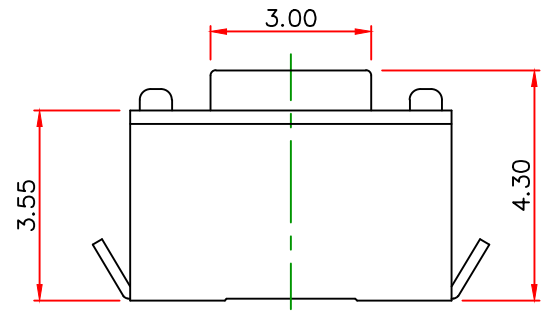
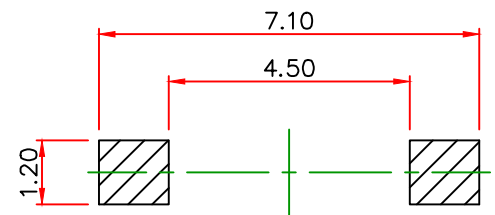
RoHS
Compatible



CIRCUIT DIAGRAM



RECOMMENED P.C.B MOUNTING PATTERN DIMENSION



Specifications

1. Rating : DC 12V, 50mA.
2. Travel : 0.25±0.1mm
3. Contact resistance : 100mΩ Max.
4. Insulation resistance : 100MΩ Min.
5. Operating force : 250±50gf
6. Operating life : 50,000 cycles Min.

5	Stem	PPA	1	White
4	Cover	Steel	1	Sn Plated
3	Contact	SUS	1	Ag Clad
2	Terminal	Brass	1	Ag Plated
1	Case	PPA	1	Black
No.	Part Name	Material	Q'ty	Finishing

達立科技股份有限公司
Dawning Precision Co., Ltd.
TEL: 886-2-82271388 FAX: 886-2-82272198

DESIGN	Eason	SCALE		
DRAWING	Eason	UNIT	mm	
CHECK	Eason	SIZE	A4: 210*297	
APPROVAL	Honda	VERSION	01	

TOLERANCE UNLESS OTHERWISE STATED(mm)	PART NAME	TACT SWITCH
0 ±0.35	PART NO	TS-A01NH-3-W-S085
0.0 ±0.30	DRAWING NO	
0.00 ±0.20	DATE	2018/12/27
ANGLE ±2'		