

**RoHS**  
**Compatible**

R&D發行  
2020.04.10  
達立

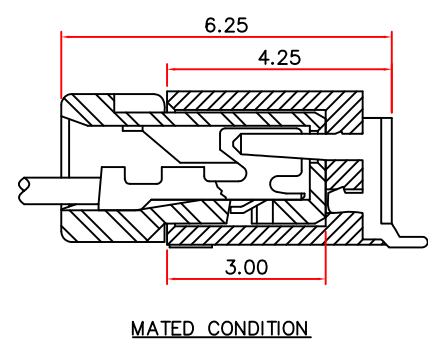
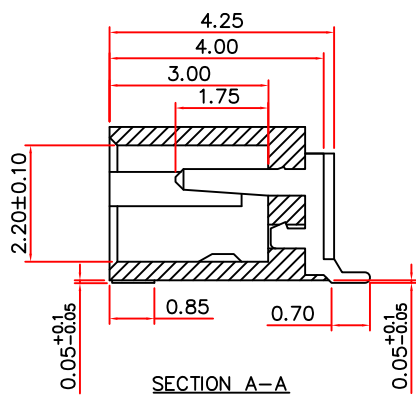
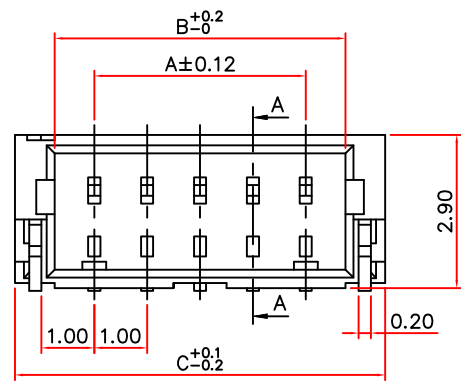
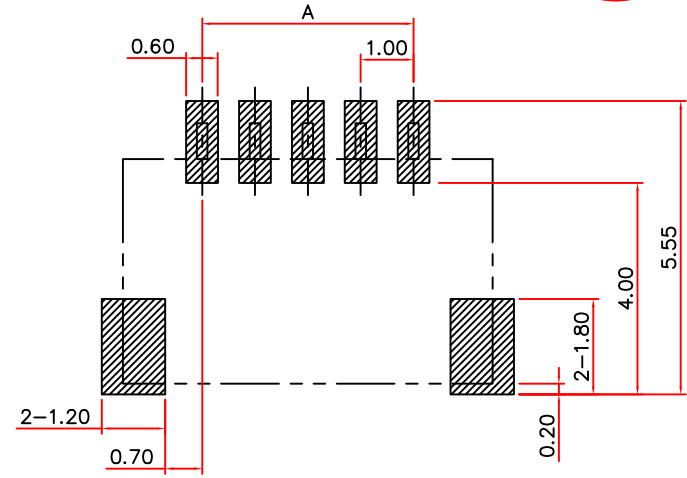
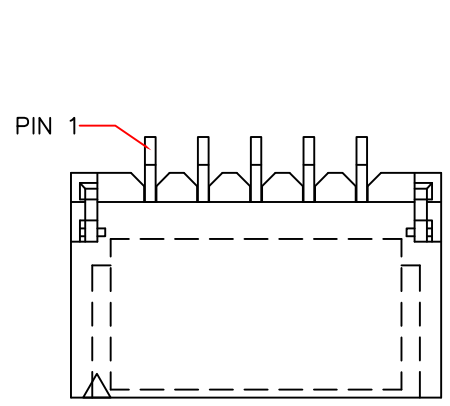
△				
△				
△				
△				
ZONE	REV	DESCRIPTION	DATE	APPD.

RECOMMENED P.C.B MOUNTING  
(PCB TOLERANCE ±0.05)

PIN NO.	Dimensions		
	A	B	C
2	1.00	2.40	4.00
3	2.00	3.40	5.00
4	3.00	4.40	6.00
5	4.00	5.40	7.00
6	5.00	6.40	8.00
7	6.00	7.40	9.00
8	7.00	8.40	10.00
9	8.00	9.40	11.00
10	9.00	10.40	12.00
11	10.00	11.40	13.00
12	11.00	12.40	14.00
13	12.00	13.40	15.00
14	13.00	14.40	16.00
15	14.00	15.40	17.00
16	15.00	16.40	18.00
17	16.00	17.40	19.00
18	17.00	18.40	20.00
19	18.00	19.40	21.00
20	19.00	20.40	22.00
22	21.00	22.40	24.00

ORDER INFORMATION :  
WB1003H-XX X X X  
1 2 3 4 5

1. HALOGEN FREE
2. PIN NO.: 02~22
3. PACKING:  
0 : TAPE & REEL  
1 : TUBE
4. PLATING:  
S : MATT Sn 100~150u"  
G : GOLD FLASH  
T : GOLD 3u" ON CONTACT AREA
5. COLOR:  
N : NATURAL  
B : BLACK



3	Fitting Nail	Copper Alloy	1	—
2	Terminal	Copper Alloy	1	—
1	Insulator	High-Temp Thermoplastic	1	—
No.	Part Name	Material	Qty	Finishing

**達立科技股份有限公司**  
**Dawning Precision Co., Ltd.**  
TEL: 886-2-82271388 FAX: 886-2-82272198

DESIGN	Jeff	SCALE		
DRAWING	Jeff	UNIT	mm	
CHECK	Jeff	SIZE	A4: 210*297	
APPROVAL	Honda	VERSION	01	

TOLERANCE UNLESS OTHERWISE STATED(mm)	PART NAME	WTB WAFER 1.00mm PITCH
0 — ±0.50	PART NO	WB1003H-XXXXX
0.0 — ±0.25	DRAWING NO	
0.00 — ±0.15	DATE	2020.04.10
ANGLE — ±2°		

www.dawning2.com.tw