

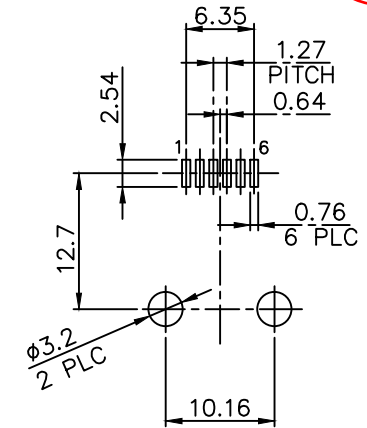
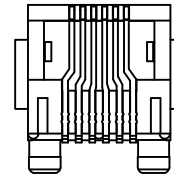
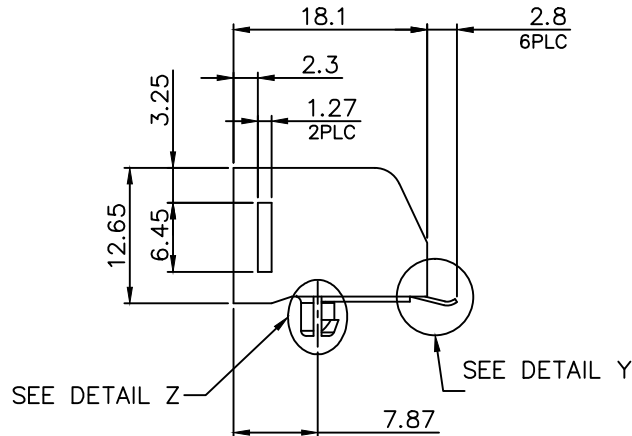
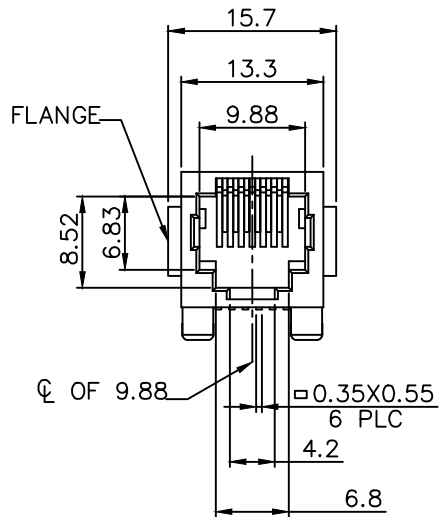
△				
△				
△				
△				
ZONE	REV	DESCRIPTION	DATE	APPD.

Order Information:
45033-6P6C-5K0C2-S187
1 2 3 4 5

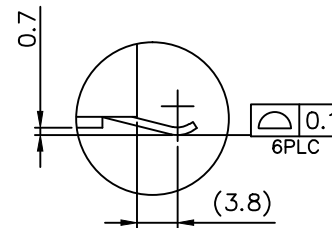
RoHS
Compatible

- Housing material
5 = PA46
- Housing color
K = Black
- Shell Material
0 = Without Shell
- Contact plating
C = Au 6u"
- Packing
2 = Tray

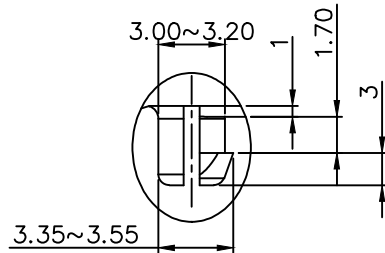
R&D發行
2023.10.06
達立



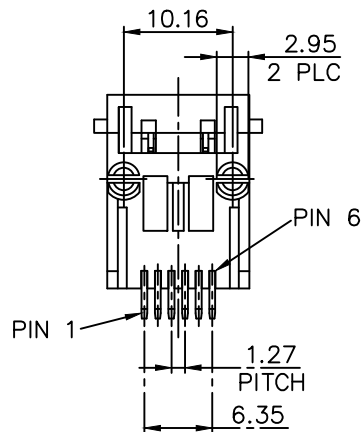
RECOMMENDED PCB LAYOUT
RECOMMENDED PCB THICKNESS: 1.6mm
TOLERANCE: ±0.05 (TOP VIEW)



DETAIL Y
SCALE 2:1
REFERENCE



DETAIL Z
SCALE 2:1



2	Contact	Phosphor Bronze	6	Contact Area: Gold Plated 6u" Solder Area: Gold Flash All over Ni Plated
1	Housing	PA46	1	Black / UL94V-0
No.	Part Name	Material	Q"ty	Finishing

達立科技股份有限公司
Dawning Precision Co., Ltd.
TEL: 886-2-82271388 FAX: 886-2-82272198

DESIGN	Charles	SCALE	
DRAWING	Charles	UNIT	mm
CHECK	Charles	SIZE	A4: 210*297
APPROVAL	Baker	VERSION	01

TOLERANCE UNLESS OTHERWISE STATED(mm)	
0	±0.50
0.0	±0.35
0.00	±0.25
ANGLE	±2°

PART NAME	Registered Jack
PART NO	45033-6P6C-5K0C2-S187
DRAWING NO	
DATE	2023/10/06