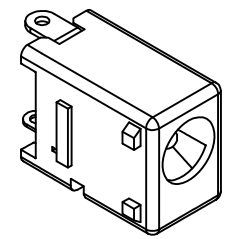
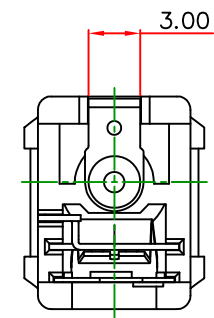
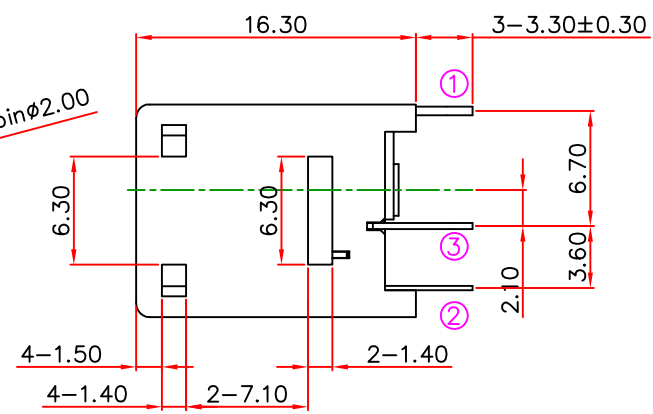
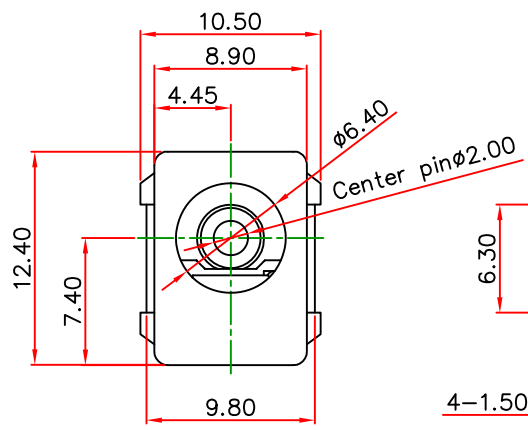


△				
△				
△				
△				
ZONE	REV	DESCRIPTION	DATE	APPD.

RD&發行  
2023.09.01  
達立

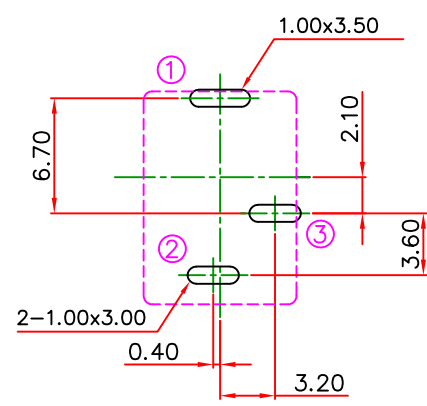
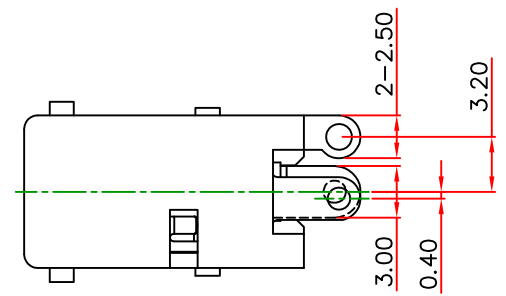
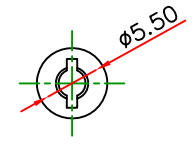
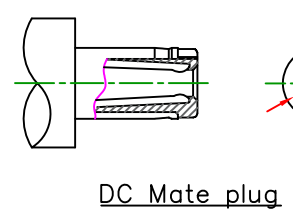
**HF**  
Halogen Free

**RoHS**  
Compatible



Schematic	
Center Pin	ø2.00mm

RECOMMENED P.C.B MOUNTING  
PATTERN DIMENSION  
TOLERANCE: ±0.05



- Material :
- Terminal 1 : Brass, Sn Plated
  - Terminal 2 : Phospher Bronzes, Sn Plated
  - Terminal 3 : Brass, Sn Plated
  - Center pin : Copper Alloy, Ni Plated
  - Housing : PBT 94V-0, Black
- SPECIFICATIONS :**
- Rating : DC 16V, 2.5A.
  - Contact resistance : 100mΩ Max.
  - Insulation resistance : 100MΩ Min.
  - Withstand voltage : 500V AC.
  - Insertion and Withdrawal force : 3~30N
  - Life : 5,000 Cycles Min.
  - Operation temperature: -25°C~85°C

**達立科技股份有限公司**  
**Dawning Precision Co., Ltd.**  
TEL: 886-2-82271388 FAX: 886-2-82272198

DESIGN	Jeff	SCALE		
DRAWING	Jeff	UNIT	mm	
CHECK	Jeff	SIZE	A4: 210*297	
APPROVAL	Baker	VERSION	01	

TOLERANCE UNLESS OTHERWISE STATED(mm)	PART NAME	DC POWER SOCKET
0 ——— ±0.40	PART NO	DC-077-F-S111-HF
0.0 ——— ±0.30	DRAWING NO	
0.00 ——— ±0.20	DATE	2023/09/01
ANGLE ——— ±2°		

www.dawning2.com.tw