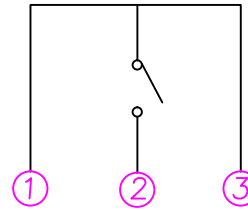


△				
△				
△				
△				
ZONE	REV	DESCRIPTION	DATE	APPD.

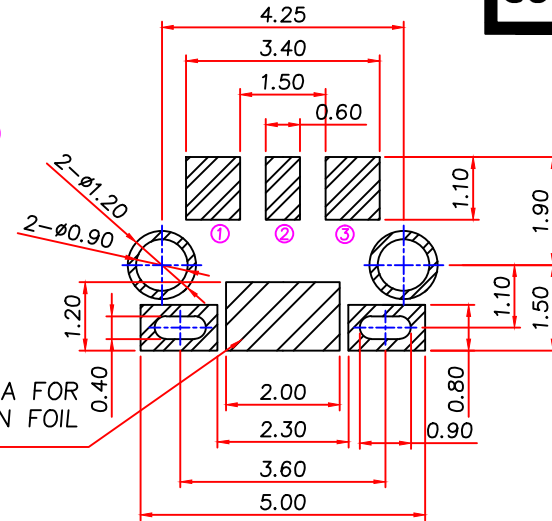
RoHS
Compatible

R&D發行
2019.04.02
達立

Circuit diagram



P.C.B Mounting pattern Dimension



PROHIBITED AREA FOR CIRCUIT PATTERN FOIL

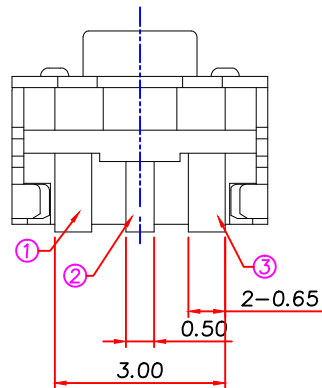
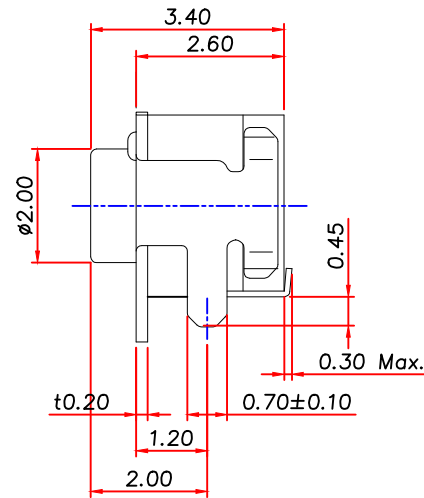
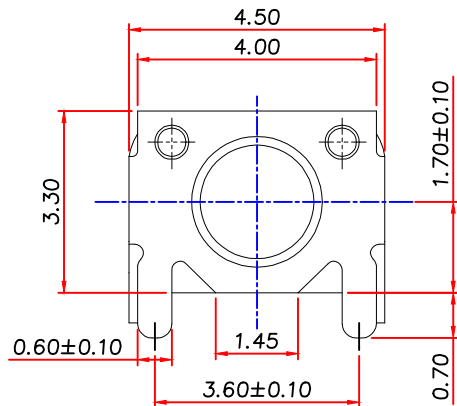
SPECIFICATIONS

- 1.RATING : DC 12V, 50mA Max.
- 2.CONTACT RESISTANCE : 100mΩ Max.
- 3.INSULATION RESISTANCE : 100MΩ Min.
- 4.OPERATING FORCE : 160±50 gf
- 5.TRAVEL : 0.20±0.1mm
- 6.LIFE : 100,000 Cycles Min.

Order Information:
TSS31-EG2-160-T18-S085

package quantity
force
fixed pillar
model type

5	Cover	Phosper Bronzes	1	Ag Plated
4	Stem	PPA	1	White
3	Contact	SUS	1	Ag Clad
2	Terminal	Phosper Bronzes	1	Ag Plated
1	Case	PPA	1	Black
No.	Part Name	Material	Q"ty	Finishing



達立科技股份有限公司

Dawning Precision Co.,Ltd.

TEL: 886-2-82271388 FAX: 886-2-82272198

DESIGN	Jeff	SCALE		
DRAWING	Jeff	UNIT	mm	
CHECK	Jeff	SIZE	A4: 210*297	
APPROVAL	Honda	VERSION	02	

TOLERANCE UNLESS OTHERWISE STATED(mm)		PART NAME	TACT SWITCH
0	±0.30	PART NO	TSS31-EG2-160-T18-S085
0.0	±0.25	DRAWING NO	
0.00	±0.20	DATE	2019/04/02
ANGLE	±2'		