

▲				
▲				
▲				
▲				
ZONE	REV	DESCRIPTION	DATE	APPD.

ORDER INFORMATION :
TST42A-U-2-S085

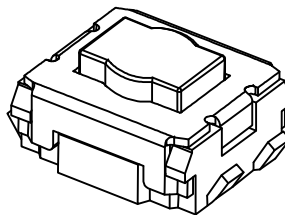
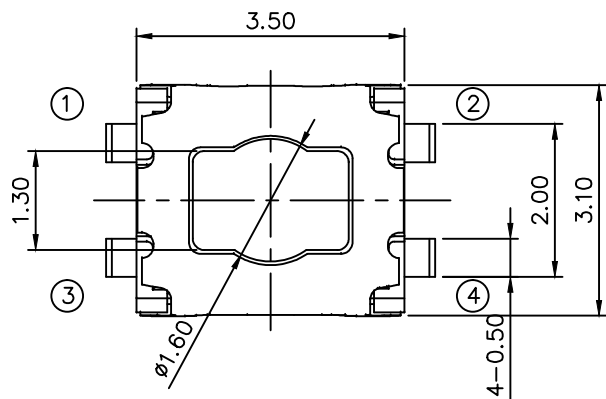
Force
2= 160gf

Terminal type
U = U type

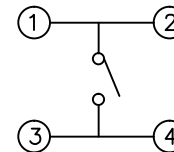
A= 1.90 Height

R&D發行
2017.11.17
達立

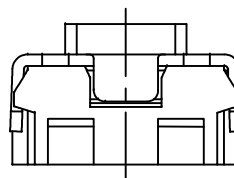
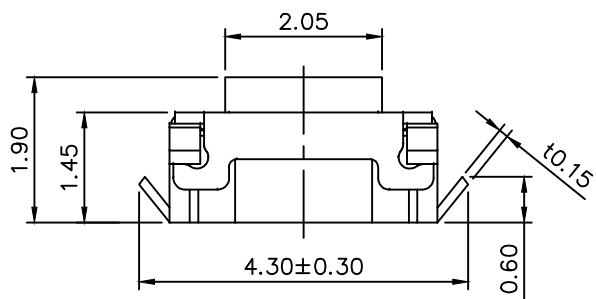
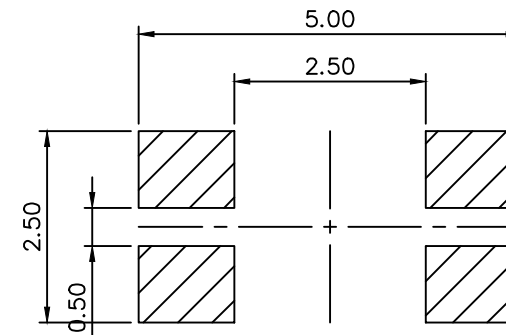
RoHS
Compatible



CIRCUIT DIAGRAM



RECOMMENED P.C.B MOUNTING
PATTERN DIMENSION



Specifications

1. Rating : DC 12V, 50mA.
2. Travel : 0.20±0.1mm
3. Contact resistance : 100mΩ Max.
4. Insulation resistance : 100MΩ Min.
5. Operating force : 160±50gf
6. Operating life : 100,000 cycles.

6	Cover dust	Pi film	1	Yellow
5	Stem	LCP	1	Black
4	Cover	SUS	1	—
3	Contact	SUS	1	Ag Clad
2	Terminal	Phosphor Bronze	1	Ag Plated
1	Case	LCP	1	Black
No.	Part Name	Material	Q"ty	Finishing

達立科技股份有限公司



Dawning Precision Co., Ltd.

TEL: 886-2-82271388 FAX: 886-2-82272198

DESIGN	Eason	SCALE		
DRAWING	Eason	UNIT	mm	
CHECK	Eason	SIZE	A4: 210*297	
APPROVAL	Honda	VERSION	01	

TOLERANCE UNLESS OTHERWISE STATED(mm)	
0	±0.35
0.0	±0.30
0.00	±0.20
ANGLE	±2'

PART NAME	TACT SWITCH
PART NO	TST42A-U-2-S085
DRAWING NO	
DATE	2017/11/17