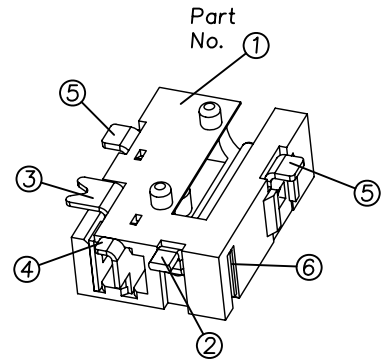
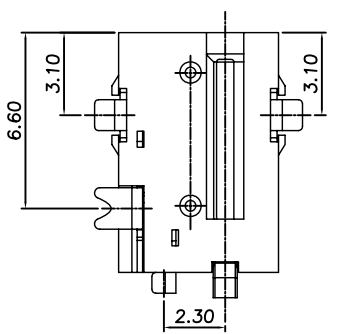
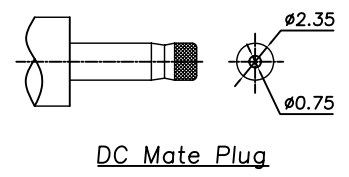
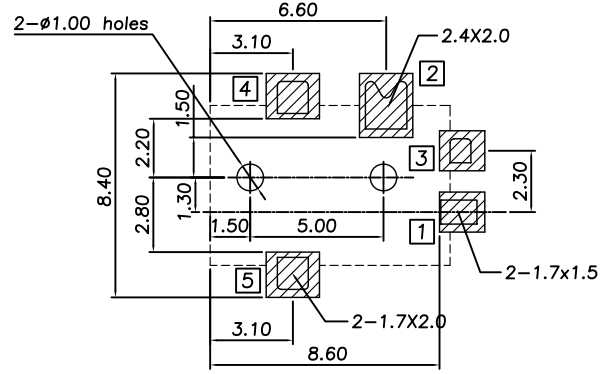
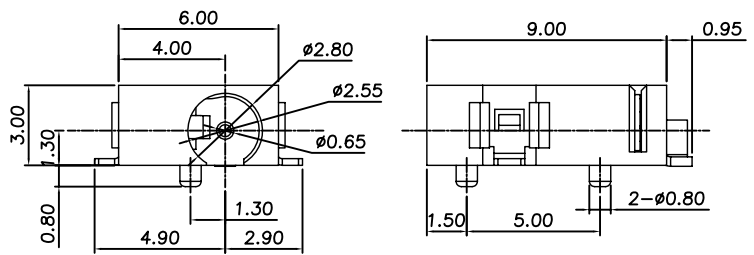


**RoHS**  
**Compatible**

發行  
2013.01.02  
達立

△				
△				
△				
△				
ZONE	REV	DESCRIPTION	DATE	APPD.



**Specifications**

1. Rating : 12V 1A Max.
2. Contact resistance: 30mΩ Max.
3. Insulation resistance : 100MΩ Min.
4. Withstand voltage : 500VAC
5. Insertion and extraction force : 3-30N
6. Life test : 5,000 cycles
7. Operating temperature : -20°C~70°C

\*Order Information:  
DC-057D- - - -S057

Material of Housing :

Code	Material
9T	PA9T
10T	PA10T

— Circuit Diagram

Model No.	DC-057D-A-S057	DC-057D-B-S057
Schematic		
Center pin	∅0.65mm	∅0.65mm

☐ Terminal No.

No.	Part Name	Material	Q'ty	Finishing
⑥	Cunber Terminal	Copper Alloy	1	Ag Plated
⑤	Contact Terminal ④ ⑤	Copper Alloy	1	Ag Plated
④	Shunt Terminal ③	Copper Alloy	1	Au Plated
③	Tip Spring ②	Copper Alloy	1	Au Plated
②	Center Pin ①	Copper Alloy	1	Ag Plated
①	Housing	Hig-Temp Thermoplastic See Order Information	1	Black

**達立科技股份有限公司**  
**Dawning Precision Co., Ltd.**  
TEL: 886-2-82271388 FAX: 886-2-82272198

DESIGN	Will	SCALE	
DRAWING	Will	UNIT	mm
CHECK	Will	SIZE	A4: 210*297
APPROVAL	Eric	VERSION	01

TOLERANCE UNLESS OTHERWISE STATED(mm)	PART NAME	DC POWER SOCKET
less than 10 — ±0.2	PART NO	DC-057D-S057 SERIES
10~30 — ±0.3	DRAWING NO	
30~100 — ±0.5	DATE	2013/01/02
ANGIE — ±2°		