

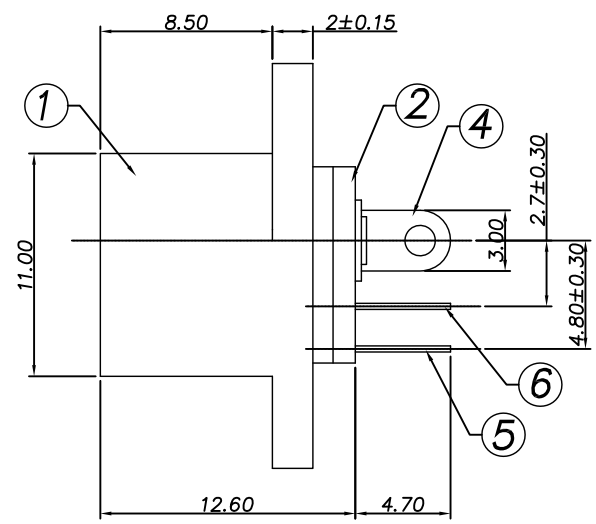
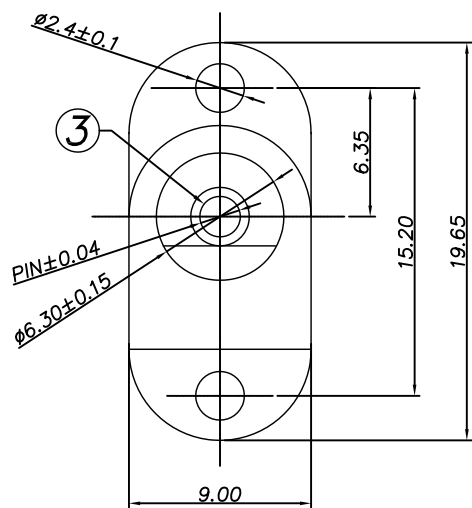
△				
△				
△				
△				
ZONE	REV	DESCRIPTION	DATE	APPD.

DC-001H-F-S057

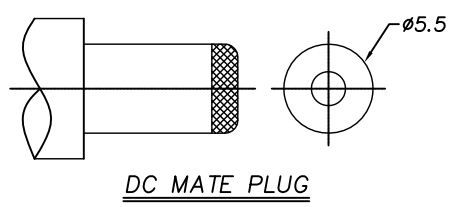
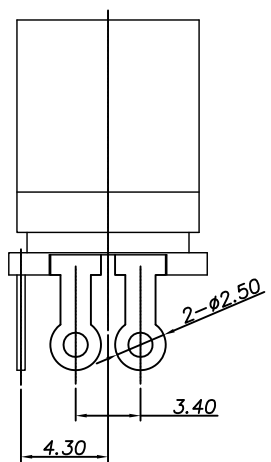
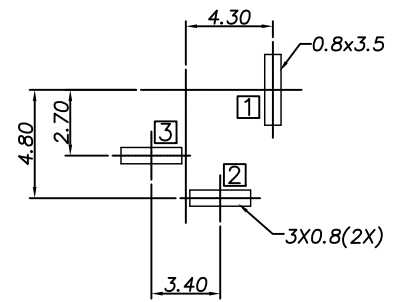
Center pin :  
F = 2.00

RD&發行  
2022.09.13  
達立

**RoHS**  
**Compatible**



RECOMMENDED P.C.B MOUNTING  
PATTERN DIMENSION(BOTTOM VIEW)



Specification:

- Rating : DC 20V 3A;
- Contact resistance:  $\leq 50m\Omega$  ;  
After life test:  $\leq 100m\Omega$
- Insulation resistance:  $\geq 100M\Omega$  (500VDC);  
After life test:  $\geq 50M\Omega$
- Withstand voltage: 500VAC ;
- Insertion and extraction force: 3N~30N;
- life test: 5000cycles min;
- Operation temperature range:  $-20^{\circ}C \sim 70^{\circ}C$
- Preservative temperature range:  $-25^{\circ}C \sim 80^{\circ}C$

Model NO.	DC-001H
Schematic	

6	Shunt terminal	3	Brass t=0.35	1	Sn Plated
5	Tip Spring	2	Steel t=0.2	1	Sn Plated
4	Pin terminal	1	Brass t=0.35	1	Sn Plated
3	Center Pin	1	Brass	1	Sn Plated
2	Cover		PF	1	
1	Housing		PBT	1	Black
No.	Part Name		Material	Q"ty	Finishing

**達立科技股份有限公司**  
**Dawning Precision Co.,Ltd.**  
TEL: 886-2-82271388 FAX: 886-2-82272198

DESIGN	Jeff	SCALE		
DRAWING	Jeff	UNIT	mm	
CHECK	Jeff	SIZE	A4: 210*297	
APPROVAL	Baker	VERSION	02	

TOLERANCE UNLESS OTHERWISE STATED(mm)	PART NAME	DC POWER SOCKET
0 _____ ±0.50	PART NO	DC-001H-F-S057
0.0 _____ ±0.40	DRAWING NO	
0.00 _____ ±0.30	DATE	2022.09.13
ANGLE _____ ±2°		

www.dawning2.com.tw