

△				
△				
△				
△				
ZONE	REV	DESCRIPTION	DATE	APPD.

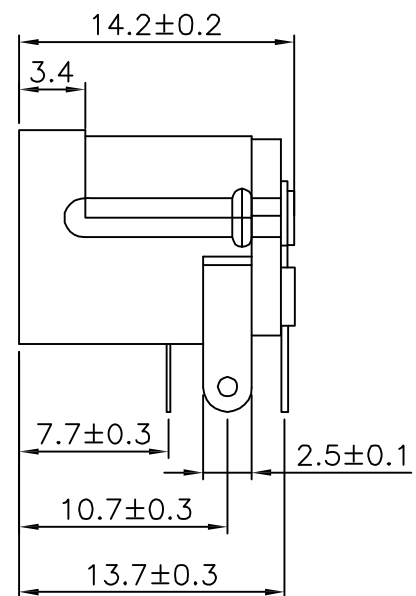
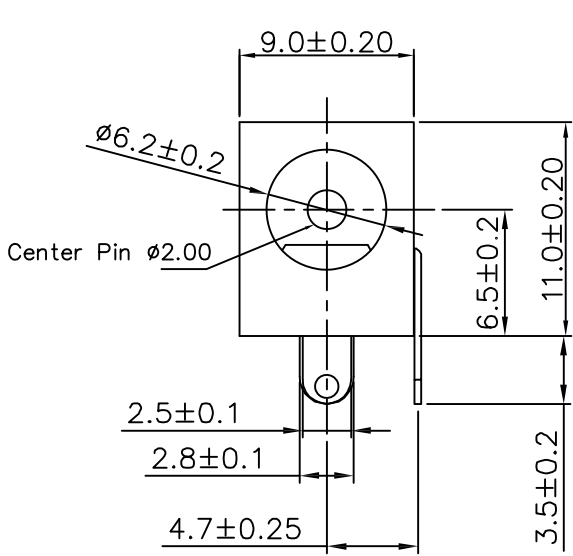
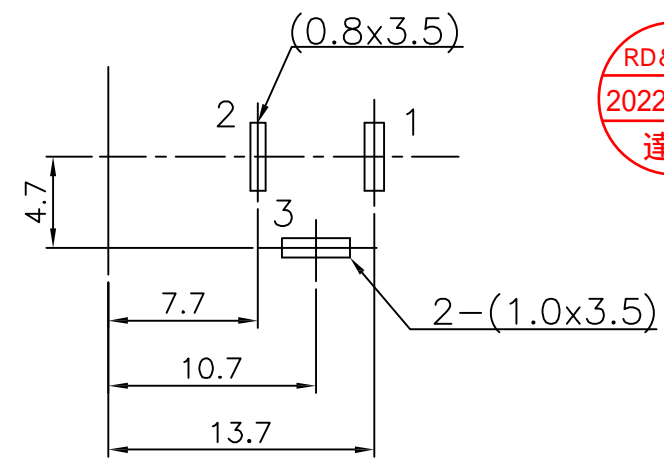
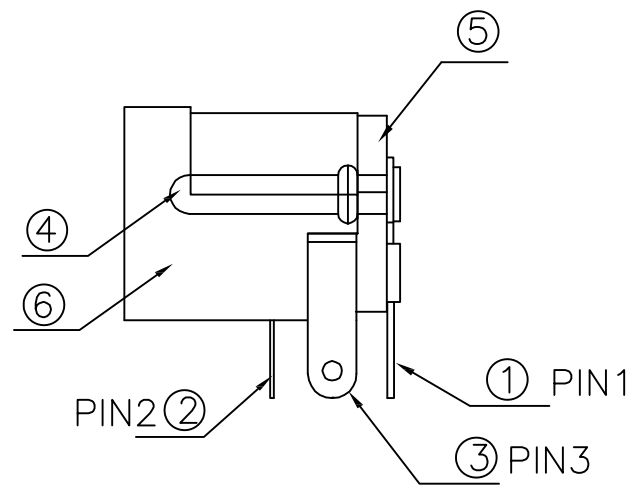
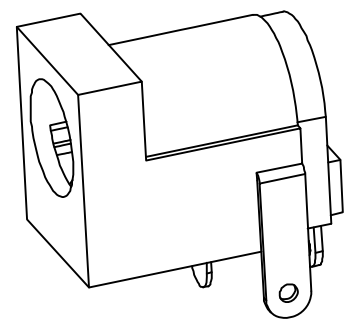
ORDER INFORMATION :
DC-021H-1-F-S135

Center Pin : $\phi 2.00\text{mm}$

RECOMMENDED P.C.B MOUNTING
PATTERN DIMENSION

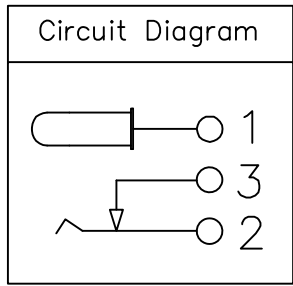
RoHS
Compatible

RD&發行
2022.11.17
達立



SPECIFICATIONS :

1. Rating : DC 16V, 5A.
2. Contact resistance : 50m Ω Max.
3. Insulation resistance : 100M Ω Min.
4. Withstand voltage : 500V AC.
5. Insertion&withdrawal force : 0.3~3.0 Kgf
6. Life : 5,000 Cycles Min.



6	Housing	PBT	1	Black
5	Cover	PBT	1	Black
4	Pin	H65	1	Ni Plated
3	Terminal 3	Copper alloy t0.35	1	Ag Plated
2	Terminal 2	Copper alloy t0.25	1	Ag Plated
1	Terminal 1	Copper alloy t0.35	1	Ag Plated
No.	Part Name	Material	Q"ty	Finishing

達立科技股份有限公司
Dawning Precision Co.,Ltd.
TEL: 886-2-82271388 FAX: 886-2-82272198

DESIGN	Jeff	SCALE		
DRAWING	Jeff	UNIT	mm	
CHECK	Jeff	SIZE	A4: 210*297	
APPROVAL	Baker	VERSION	01	

TOLERANCE UNLESS OTHERWISE STATED(mm)	PART NAME	DC POWER SOCKET
0 ——— ± 0.50	PART NO	DC-021H-1-F-S135
0.0 ——— ± 0.30	DRAWING NO	
0.00 ——— ± 0.20	DATE	2022.11.17
ANGLE ——— $\pm 2'$		