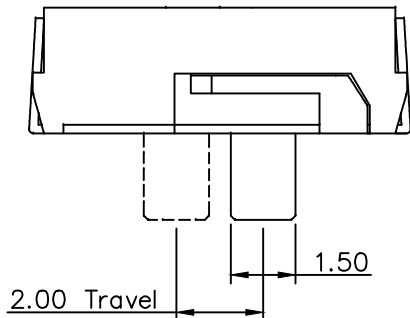


▲				
▲				
▲				
▲				
ZONE	REV	DESCRIPTION	DATE	APPD.

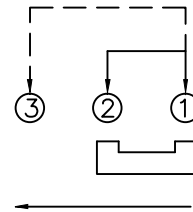
Order information:
 SS-B70H-BK-S085
 Stem color
 BK = Black
 DIP type

R&D發行
 2017.09.18
 達立

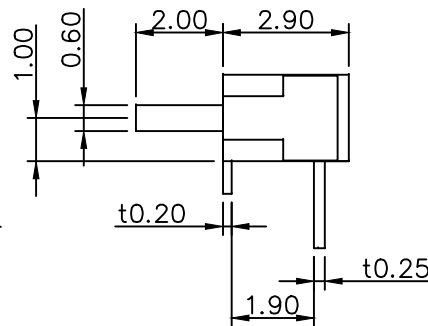
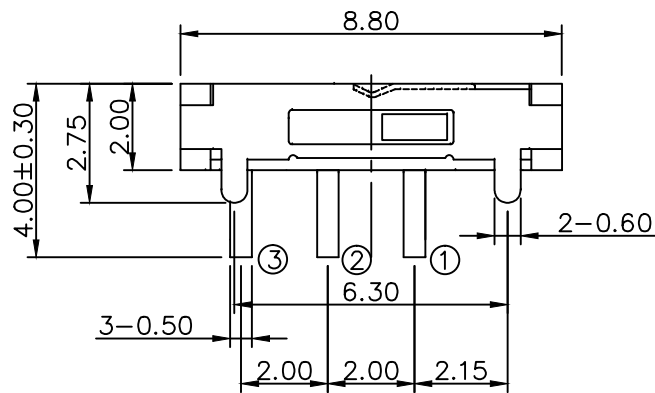
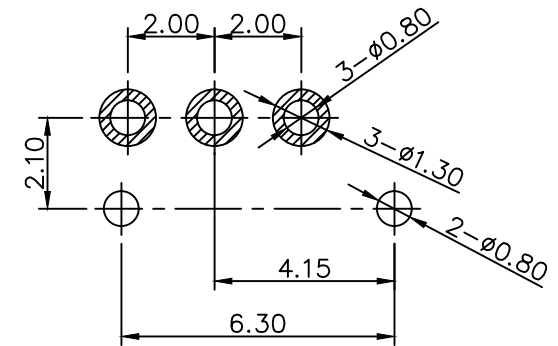
RoHS
Compatible



CIRCUIT DIAGRAM



RECOMMENED P.C.B MOUNTING PATTERN DIMENSION



Specifications

1. Rating : DC 12V, 50mA.
2. Travel : 2.00±0.20mm
3. Contact resistance : 100mΩ Max.
4. Insulation resistance : 100MΩ Min.
5. Operating force : 120±50gf
6. Operating life : 10,000 cycles.

5	Stem	PPA	1	Black
4	Cover	SUS	1	—
3	Contact	Copper alloy	1	Ag Plated
2	Terminal	Phosphor Bronze	1	Ag Plated
1	Case	PA6T	1	Black
No.	Part Name	Material	Q'ty	Finishing

達立科技股份有限公司



Dawning Precision Co., Ltd.

TEL: 886-2-82271388 FAX: 886-2-82272198

DESIGN	Eason	SCALE		
DRAWING	Eason	UNIT	mm	
CHECK	Eason	SIZE	A4: 210*297	
APPROVAL	Honda	VERSION	01	

TOLERANCE UNLESS OTHERWISE STATED(mm)	PART NAME	SLIDE SWITCH
0 — ±0.35	PART NO	SS-B70H-BK-S085
0.0 — ±0.30	DRAWING NO	
0.00 — ±0.20	DATE	2017/09/18
ANGLE — ±2'		