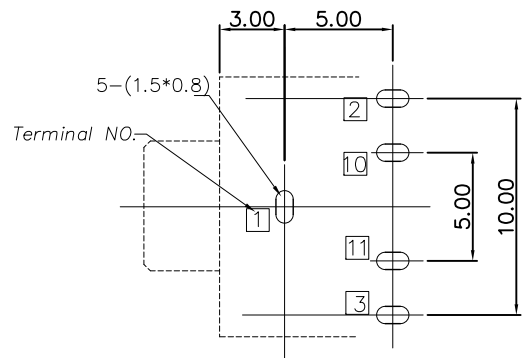
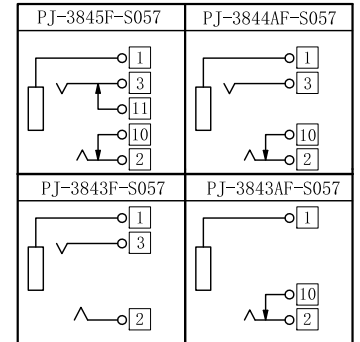
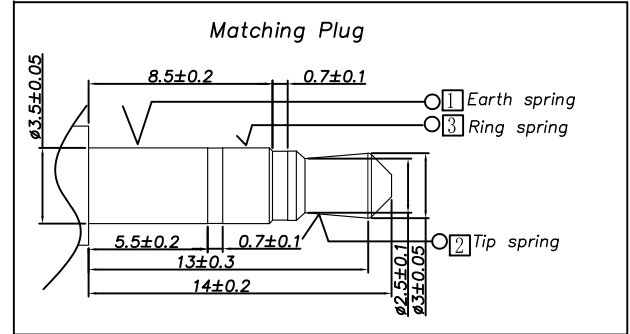
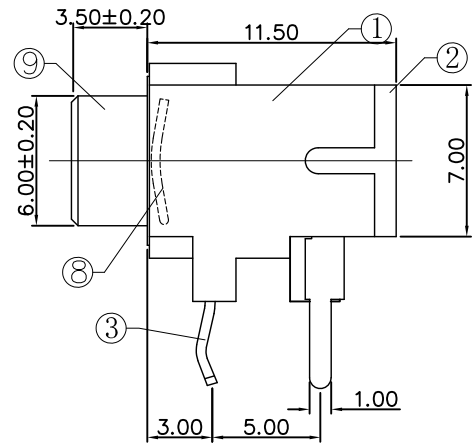
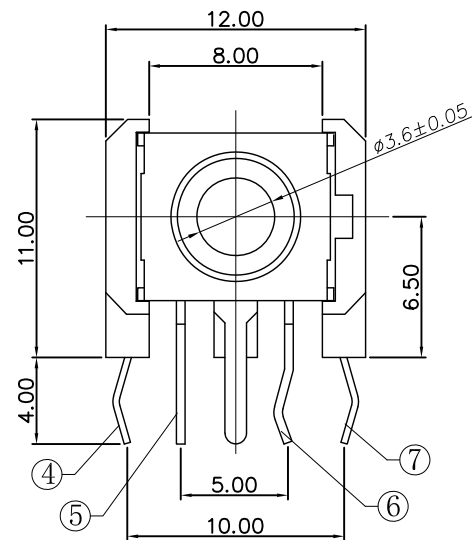


▲				
▲				
▲				
▲				
ZONE	REV	DESCRIPTION	DATE	APPD.

RoHS
Compatible

RD&發行
2022.10.03
達立



Specification

- Rating : DC 30V, 0.5A.
- Contact resistance : $\leq 30m\Omega$
After test: $\leq 50m\Omega$.
- Insulation resistance : $\geq 100M\Omega$ (500 VDC)
After test: $\geq 50M\Omega$.
- Withstand voltage : 500VAC.
- Insertion and extraction force : 3N~30N.
- life test : 5,000 cycles min.
- Operation temperature range: $-20^{\circ}C \sim 70^{\circ}C$
- Preservative temperature range: $-40^{\circ}C \sim 85^{\circ}C$

9	Bushing	Copper Alloy	1	Ni Plated
8	Spring	Spring Wire	1	Ni Plated
7	Tip spring	Brass t=0.30	1	Sn Plated
6	Shunt terminal	Brass t=0.40	1	Sn Plated
5	Shunt terminal	Brass t=0.40	1	Sn Plated
4	Ring spring	Phosphor Bronzes t=0.25	1	Sn Plated
3	Earth terminal	Brass t=0.50	1	Sn Plated
2	Cover	PABT	1	Black
1	Housing	PA66	1	Black
No.	Part Name	Material	Q'ty	Remark

達立科技股份有限公司
Dawning Precision Co.,Ltd.
TEL: 886-2-82271388 FAX: 886-2-82272198

DESIGN	Jeff	SCALE		
DRAWING	Jeff	UNIT	mm	
CHECK	Jeff	SIZE	A4: 210*297	
APPROVAL	Baker	VERSION	01	

TOLERANCE UNLESS OTHERWISE STATED(mm)	PART NAME	PHONE JACK
0 _____ ±0.50	PART NO	PJ-384X-S057 SERIES
0.0 _____ ±0.40	DRAWING NO	
0.00 _____ ±0.30	DATE	2022/10/03
ANGLE _____ ±2'		