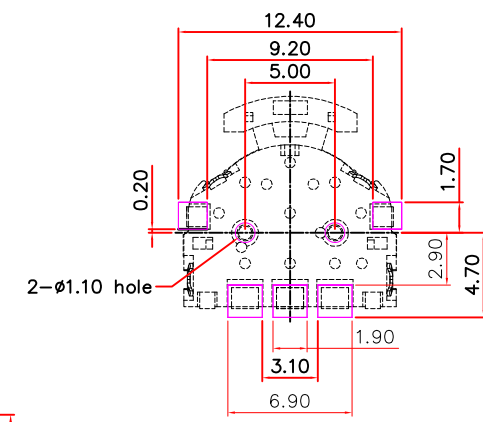


RoHS
Compatible

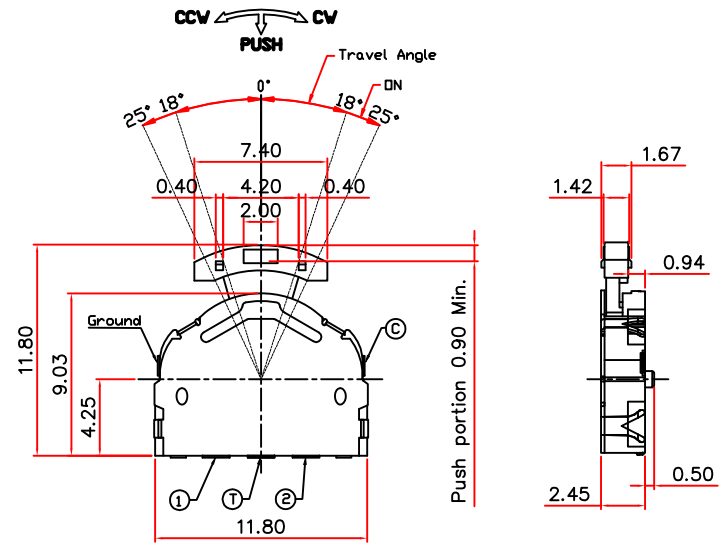
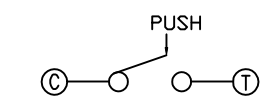
RD&發行
2024.07.19
達立

△				
△				
△				
△				
ZONE	REV	DESCRIPTION	DATE	APPD.

RECOMMENED P.C.B MOUNTING
PATTERN DIMENSION

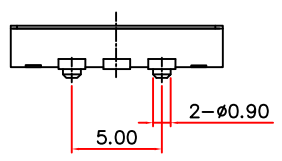


CIRCUIT DIAGRAM



SPECIFICATIONS

- Rating: DC 5V, 10mA.
- Insulation Resistance: 100MΩ Min.
- Withstanding Voltage: AC 100V Min.
- Operating Force
 - Lever Push : 70±50gf
 - Center Push : 200±100gf
- Travel
 - Center : 0.9mm
- Operating Life: 50,000 Cycles



CODE TABLE (■ = 0N)

Angle	(25)°	(18)°	0°	(18)°	(25)°
Terminal	■	■	■	■	■
①	■	■	■	■	■
②	■	■	■	■	■
③	■	■	■	■	■

CCW ← → CW

No.	Part Name	Material	Q'ty	Finishing
6	Lever	PA6T	1	Black
5	Spring	Stainless Steel	1	—
4	Cover	Stainless Steel	1	—
3	Brush	Phosphor Bronzes	1	Ag Plated
2	Terminal	Brass	1	Ag Plated
1	Case	PA6T	1	Black

達立科技股份有限公司
Dawning Precision Co., Ltd.
TEL: 886-2-82271388 FAX: 886-2-82272198

DESIGN	Jeff	SCALE	
DRAWING	Jeff	UNIT	mm
CHECK	Jeff	SIZE	A4: 210*297
APPROVAL	Baker	VERSION	02

TOLERANCE UNLESS OTHERWISE STATED(mm)	PART NAME	MULTIFUNCTION SWITCH
0 — ±0.50	PART NO	K01C
0.0 — ±0.30	DRAWING NO	
0.00 — ±0.25	DATE	2024/07/19
ANGLE — ±3°		