

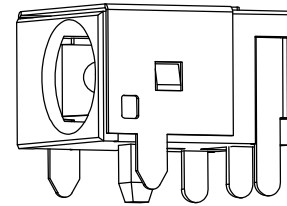
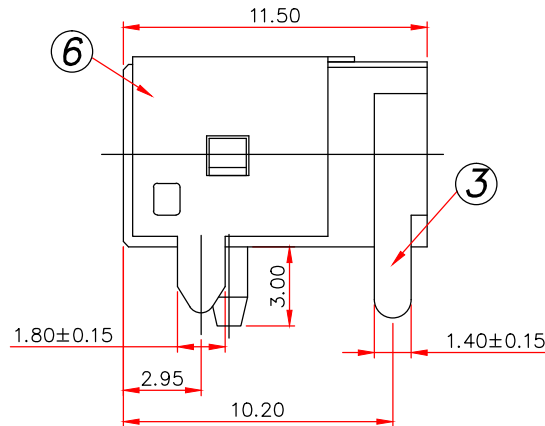
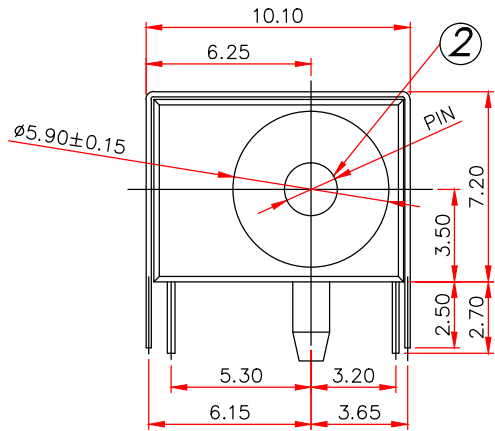
△				
△				
△				
△				
ZONE	REV	DESCRIPTION	DATE	APPD.

Order Information
DC-069HS-X-X-X-S057
1 2 3

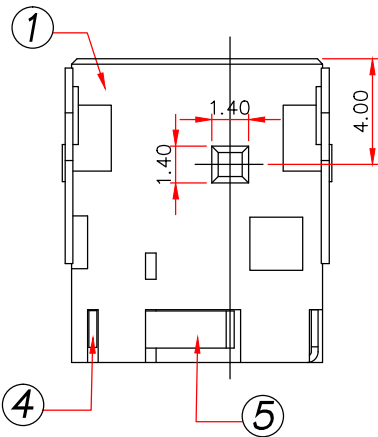
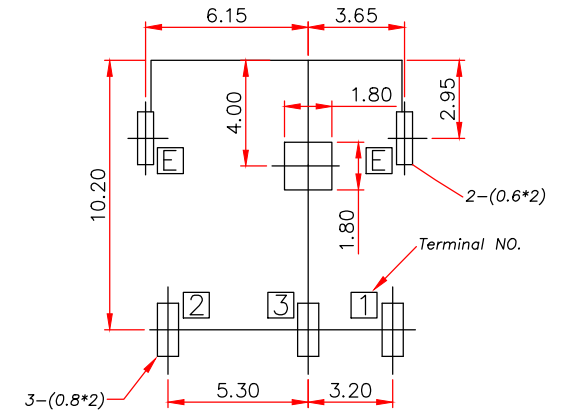
1. Circuit Diagram
2. Center Pin : E=φ1.65 / F=φ2.00 / G=φ2.35 / H=φ2.50
3. PB=PBT / 9T=PA9T / 10=PA10T

R&D發行
2022.11.03
達立

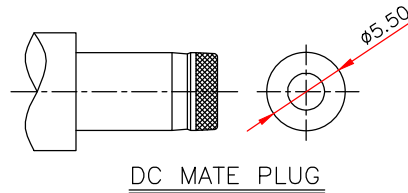
RoHS
Compatible



RECOMMENDED P.C.B MOUNTING
PATTERN DIMENSION



Model NO.	DC-069HS-A	DC-069HS-B
Schematic		
Center Pin	φ1.65mm	
	φ2.00mm	
	φ2.35mm	
	φ2.50mm	



SPECIFICATIONS :

1. Rating : DC 30V, 0.5A.
2. Contact resistance : 30mΩ Max.
3. Insulation resistance : 100MΩ Min.
4. Withstand voltage : 500V AC.
5. Insertion&withdrawal force : 0.3~3.0 Kgf
6. Life : 5000 Cycles Min.

6	Earth Terminal	Brass	1	Ni Plated
5	Shunt Terminal [3]	Brass	1	Ag Plated
4	Tip Spring [2]	Phosphor Bronze	1	Ag Plated
3	Center Pin Terminal [1]	Brass	1	Ag Plated
2	Center Pin	Brass	1	Ni Plated
1	Housing	PBT/PA9T/PA10T	1	Black
No.	Part Name	Material	Q"ty	Finishing

達立科技股份有限公司
Dawning Precision Co.,Ltd.
TEL: 886-2-82271388 FAX: 886-2-82272198

DESIGN	Charles	SCALE	
DRAWING	Charles	UNIT	mm
CHECK	Charles	SIZE	A4: 210*297
APPROVAL	Baker	VERSION	01

TOLERANCE UNLESS OTHERWISE STATED(mm)	PART NAME	DC POWER SOCKET
0 _____ ±0.50	PART NO	DC-069HS-S057 SERIES
0.0 _____ ±0.40	DRAWING NO	
0.00 _____ ±0.30	DATE	2022.11.03
ANGLE _____ ±2°		