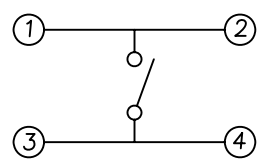


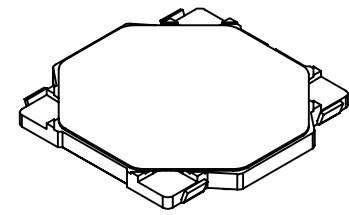
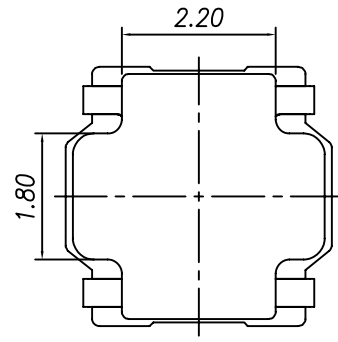
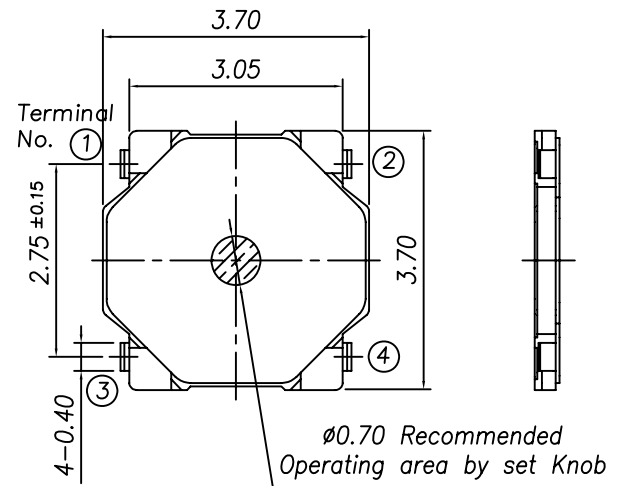
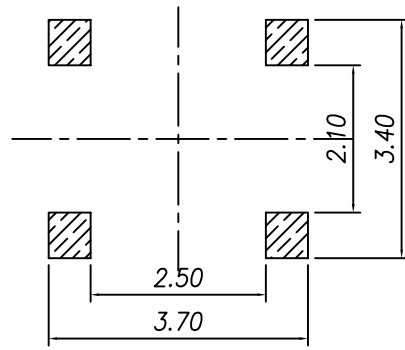
**RoHS**  
**Compatible**

△				
△				
△				
△				
ZONE	REV	DESCRIPTION	DATE	APPD.

Circuit diagram

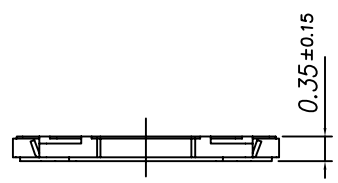


P.C.B Mounting pattern Dimension



Specifications

1. Rating : 50mA 12V DC
2. Contact resistance : 100mΩ Max.
3. Insulation resistance : 100MΩ Min, 100V DC
4. Withstanding voltage : 250V AC for 1 minute
6. Travel : 0.15±0.1mm
7. Operating force : 160±50gf
8. Operating life : 500,000 cycles Min.
9. Operating temperature range -30 to 85°



4	Contact	Stainless	1	Ag Clad
3	Masking Tpaee	PI Film	1	Yellow
2	Terminal	Phosphor Bronze	1	Plated : Ni 0.2um Min. , Ag 0.3um Min.
1	Case	Nylon46	1	Black
NO	Part Name	Material	Q"ty	Finishing

**達立科技股份有限公司**  
**Dawning Precision Co., Ltd.**  
TEL: 886-2-82271388 FAX: 886-2-82272198

DESIGN	Will	SCALE		
DRAWING	Will	UNIT	mm	
CHECK	Will	SIZE	A4: 210*297	
APPROVAL	Eric	VERSION	01	

TOLERANCE UNLESS OTHERWISE STATED(mm)	PART NAME	TACT SWITCH
less than 10 — ±0.3	PART NO	TS-A53U-160-S017
10~30 — ±0.4	DRAWING NO	
30~100 — ±0.5	DATE	2011/10/12
ANGIE — ±2°		