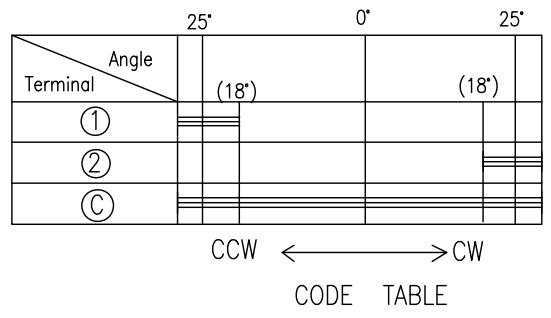
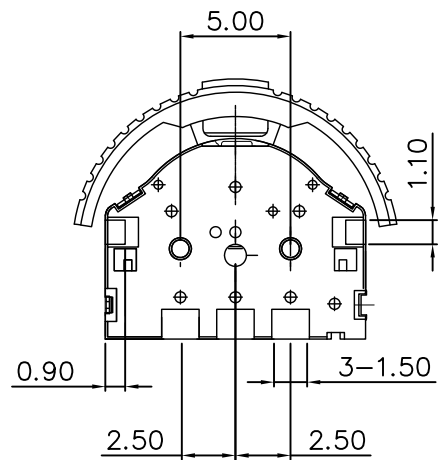
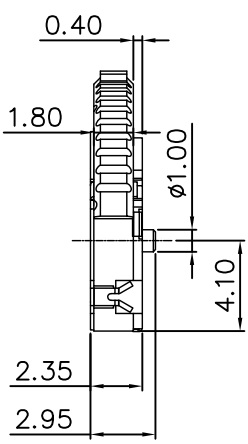
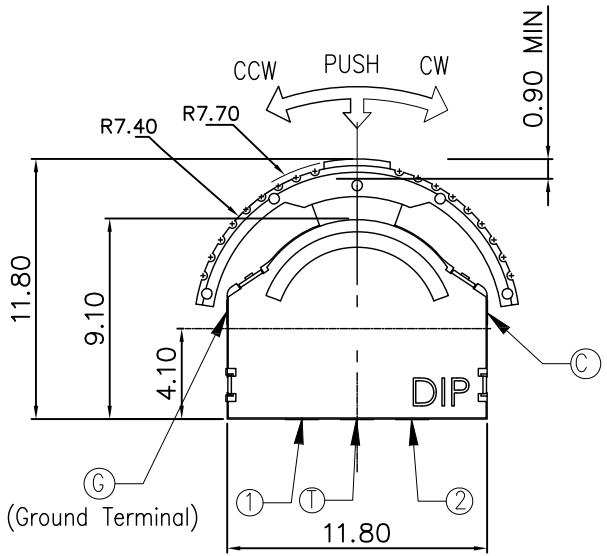


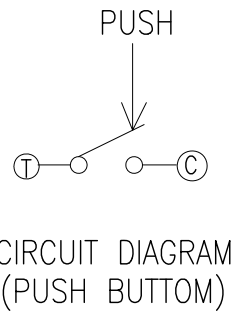
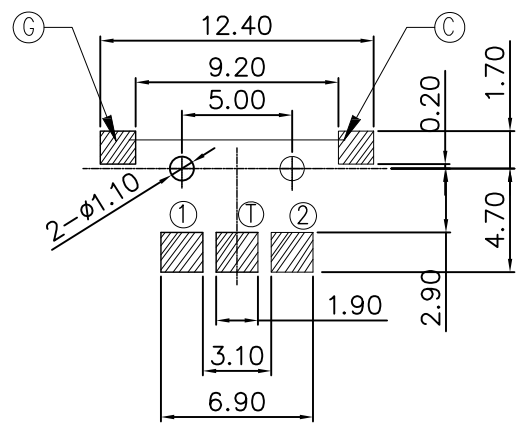
**RoHS**  
**Compatible**

R&D發行  
2021.06.21  
達立

△				
△				
△				
△				
ZONE	REV	DESCRIPTION	DATE	APPD.



**RECOMMENED P.C.B MOUNTING PATTERN DIMENSION**



**SPECIFICATIONS**

- Rating: DC 5V, 10mA.
- Insulation Resistance: 100MΩ Min.
- Withstanding Voltage: AC 100V Min.
- Operating Force
  - Force on return actuator : 70±50gf
  - Force on center push direction : 200±100gf
- Operating Life: 100,000 Cycles

No.	Part Name	Material	Q'ty	Finishing
6	Lever Stem	High-Temp Thermoplastic Nylon UL 94V-0	1	Black
5	Spring	Stainless Steel	1	—
4	Cover	Stainless Steel	1	—
3	Contact	Phosper Bronzes	1	Ag Plated
2	Terminal	Phosper Bronzes	1	Ag Plated
1	Base	High-Temp Thermoplastic Nylon UL 94V-0	1	Black

**達立科技股份有限公司**  
**Dawning Precision Co., Ltd.**  
TEL: 886-2-82271388 FAX: 886-2-82272198

DESIGN	Jeff	SCALE		
DRAWING	Jeff	UNIT	mm	
CHECK	Jeff	SIZE	A4: 210*297	
APPROVAL	Baker	VERSION	01	

TOLERANCE UNLESS OTHERWISE STATED(mm)	PART NAME	MULTIFUNCTION SWITCH
0 — ±0.50	PART NO	K01B-S156
0.0 — ±0.30	DRAWING NO	
0.00 — ±0.20	DATE	2021/06/21
ANGLE — ±3°		