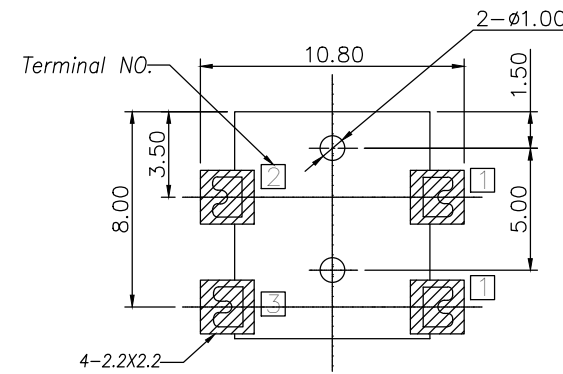
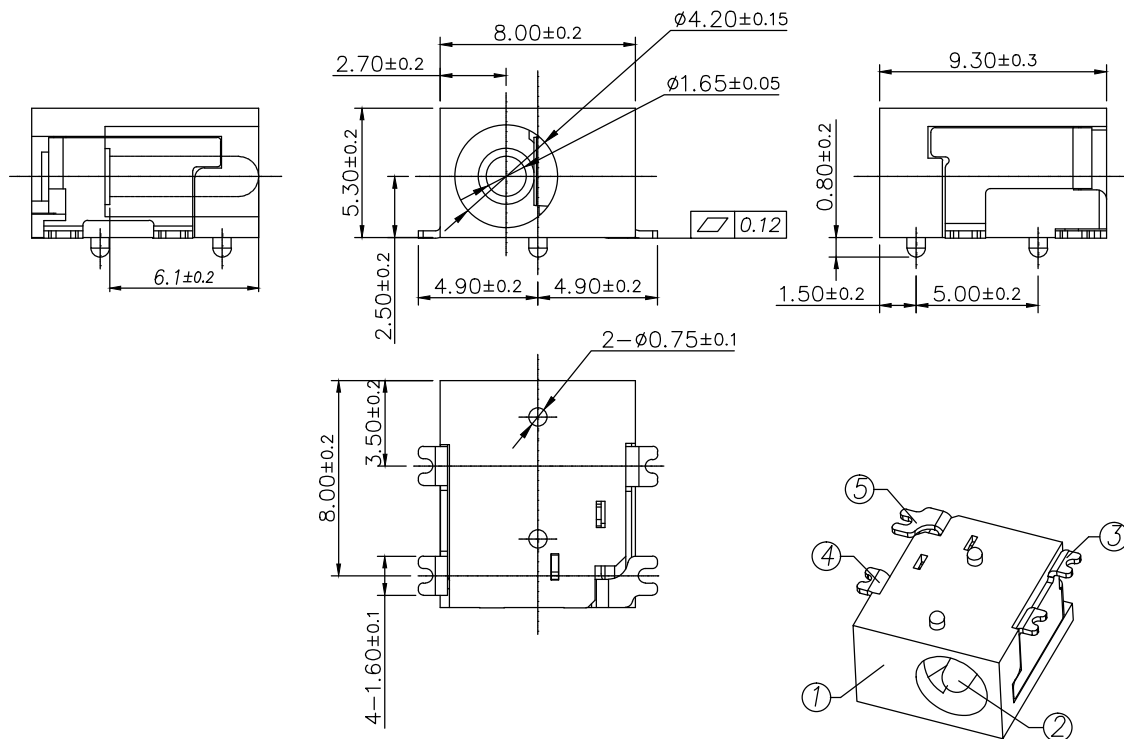


|      |     |             |      |       |
|------|-----|-------------|------|-------|
| △    |     |             |      |       |
| △    |     |             |      |       |
| △    |     |             |      |       |
| △    |     |             |      |       |
| ZONE | REV | DESCRIPTION | DATE | APPD. |

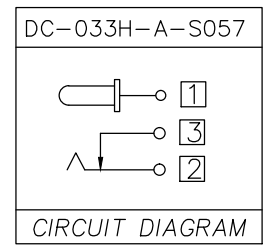
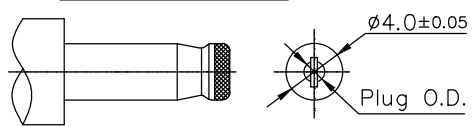
R&D發行  
2021.12.24  
達立

**RoHS**  
**Compatible**



- Specifications
- Rating : DC 18V , 5A.
  - Contact resistance : 50mΩ Max.
  - Insulation resistance : 100MΩ min.
  - Withstand voltage : 500VAC.
  - Insertion and extraction force : 3N~30N
  - life : 5,000 cycles min.
  - Operation temperature range : -20°C~70°C
  - Preservation temperature range : -40°C~85°C

|           |          |
|-----------|----------|
| PIN       | ∅1.65    |
| PLUG O.D. | 1.7±0.08 |



| 5   | Shunt terminal      | 3 | Brass 0.30t           | 1    | Ag plated        |
|-----|---------------------|---|-----------------------|------|------------------|
| 4   | Tip spring          | 2 | Phosphor bronze 0.30t | 1    | Ag plated        |
| 3   | Center pin terminal | 1 | Brass 0.30t           | 1    | Ag plated        |
| 2   | Center pin          |   | Brass                 | 1    | CuSn plated      |
| 1   | Housing             |   | PA10T                 | 1    | Black / UL 94V-0 |
| No. | Part Name           |   | Material              | Q'ty | Finishing        |

**達立科技股份有限公司**  
**Dawning Precision Co., Ltd.**  
TEL: 886-2-82271388 FAX: 886-2-82272198

|          |       |         |             |  |
|----------|-------|---------|-------------|--|
| DESIGN   | Chung | SCALE   |             |  |
| DRAWING  | Chung | UNIT    | mm          |  |
| CHECK    | Chung | SIZE    | A4: 210*297 |  |
| APPROVAL | Baker | VERSION | 01          |  |

|                                       |            |                 |
|---------------------------------------|------------|-----------------|
| TOLERANCE UNLESS OTHERWISE STATED(mm) | PART NAME  | DC POWER SOCKET |
| 0 _____ ±0.40                         | PART NO    | DC-033H-A-S057  |
| 0.0 _____ ±0.30                       | DRAWING NO |                 |
| 0.00 _____ ±0.20                      | DATE       | 2021.12.24      |
| ANGLE _____ ±2°                       |            |                 |

www.dawning2.com.tw