

△				
△				
△				
△				
ZONE	REV	DESCRIPTION	DATE	APPD.

Order Information:

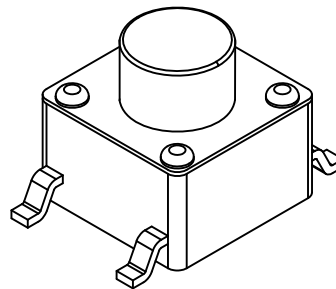
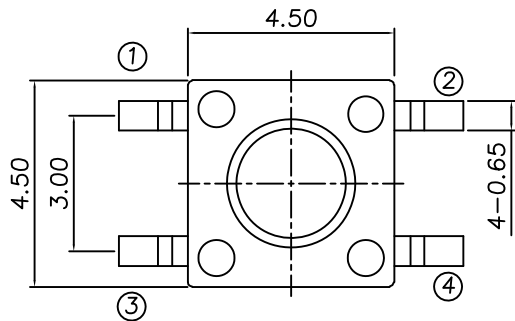
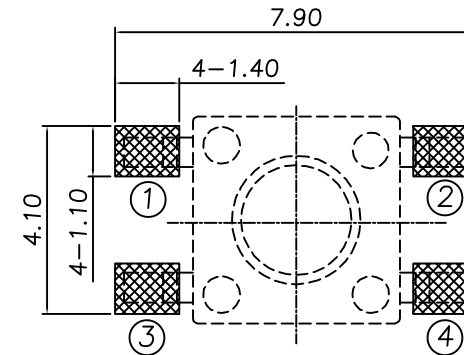
TS-A09S-3-S085

Model Name _____ Operating Force: 260gf
 Hight=3.8mm

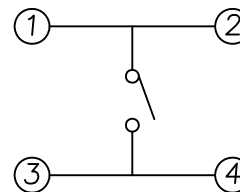


RoHS
Compatible

P.C.B Mounting pattern Dimension

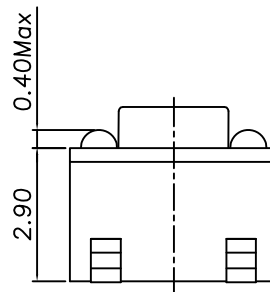
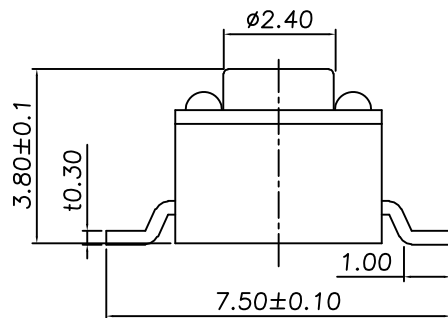


Circuit diagram



Specifications

1. Rating : 50mA 12V DC Max.
2. Contact resistance : 100mΩ Max.
3. Insulation resistance : 100MΩ Min
4. Withstanding voltage : 250V AC - 1minute
5. Travel : 0.20±0.1mm
6. Operating force : 260±50gf
7. Operating cycles : 100,000 cycles Min.



5	Contact	SUS	1	Ag plated
4	Stem	PPA	1	Black
3	Cover	SPTe	1	Sn plated
2	Terminal	Brass	4	Ag plated
1	Case	PPA	1	Black
NO	Part Name	Material	Q"ty	Finishing

達立科技股份有限公司

Dawning Precision Co., Ltd.
 TEL: 886-2-82271388 FAX: 886-2-82272198

DESIGN	Jeff	SCALE		
DRAWING	Jeff	UNIT	mm	
CHECK	Jeff	SIZE	A4: 210*297	
APPROVAL	Honda	VERSION	03	

TOLERANCE UNLESS OTHERWISE STATED(mm)	PART NAME	TACT SWITCH
0 _____ ±0.40	PART NO	TS-A09S-3-S085
0.0 _____ ±0.30	DRAWING NO	
0.00 _____ ±0.20	DATE	2019/09/05
ANGLE _____ ±2°		